



**CHAMPTEK**<sup>®</sup>  
We value your ID's

# LYRA L-9080i

## Desktop and Handheld Presentation Area Imager Barcode Scanner

### Introduction

The LYRA family is a multi-form, compact size, omni-directional presentation area-imaging scanner engineered to decode all standard 1D and 2D barcodes. Its revolutionary imaging technology is housed in an elegant, stylish, yet durable design. The compact size and small foot-print design, makes it the ideal solution for space-constrained environments.

With the LYRA L-9080i, you get the versatility to scan any 1D or 2D bar code — from the printed labels in retail that identify product or mobile bar codes on the screen of a mobile phone, and pricing at the register to mobile coupons, mobile gift and loyalty cards, boarding passes and even theater tickets. The LYRA provides all the features you need to keep your workers productive; intuitive and fast reading performance; true point-and-shoot scanning simplicity — no need to align bar code and scanner; and hands-free and handheld flexibility.

The LYRA reader includes powerful configuration tool, programming bar code and data formatting functionality which allow easy integration into existing or new host systems, management to manage maintenance.

### Features

- Scans most 1D and 2D bar codes on paper, mobile phones and computer displays.
- With the most compact size and small foot-print can fit in the most space constrained areas.
- Support hands-free and handheld scan.
- Multi-code mode allows simultaneous scanning of a group of bar codes.
- Scanner head can be forward and backward adjusted in a total 180° range to accommodate to your application.
- Available configuration tool and data formatting functionality eliminating the need for host system modifications.
- Lightweight and ergonomic design, best cost-effective investment.

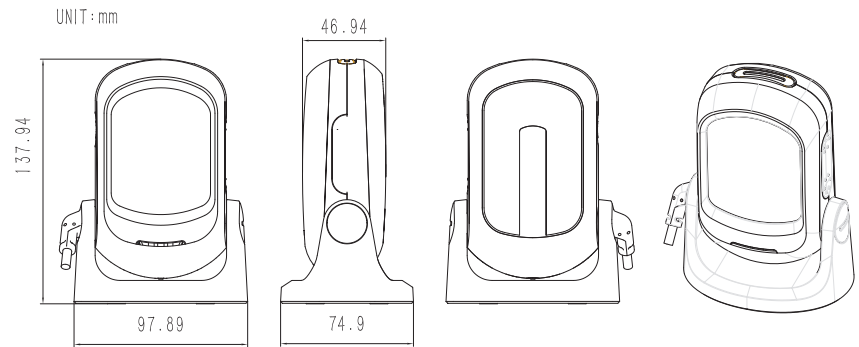


# LYRA L-9080i

Barcode	Depth of field
3mil Code39	45 ~ 75 mm
4mil Code39	35 ~ 85 mm
5mil Code39	35 ~ 95 mm
10mil Code39	25 ~ 150 mm
20mil Code39	20 ~ 250 mm
20mil QR Code	20 ~ 160 mm
20mil PDF417	20 ~ 100 mm
20mil Data Matrix	20 ~ 180 mm

Note : The test is under ambient light 700~800 Lux.

**Mechanical Drawing**  
Unit: mm



## Specifications

### Physical Characteristics

Weight	
Body Weight	Approx.315g
Material	ABS Plastic
Dimension (WxDxH)	97.89 x 74.90 x 137.94 mm
Color Available	Black

### Performance

Light source	Visible White LED
View of filed	Horizontal – 55°, Vertical – 35°
Resolution	1280 (H) x 800 (V) pixels 3.0 mil (Code 39), 8 mil (QR Code)
Scan speed	60 scans per second
Pitch	±60°(from front to back)
Skew	±60°(from plane parallel to symbol(side- to-side))
Roll	360°
Indicators	Beep and LED (Standby Orange, Good read Blue) A trigger button can enable / disable aimer for aiming reading

### Electrical Characteristics

Interface	RS232	USB
Supply Voltage	DC Adaptor +5V ±5%	USB Power
Stand-by (Typ.)	95 mA	90 mA
Operation (Typ.)	320 mA	310 mA

### Environmental

Operating Temp.	0°C to 50°C ( 32°F to 122°F )
Storage Temp.	-20°C to 70°C ( -4°F to 158°F )
Relative Humidity	20% to 95% (Non-condensing)
Ambient light	100,000 Lux Max. (Sunlight)
Sealing	Designed to IP42 water and dust protection

### Reliability

Life Time	
MTBF(Calculated)	50,000 hours
Temp. Test	
High Temp.	70°C , 48 hours
Low Temp.	-20°C , 48 hours
Cable Bending Test	25,000 times minimum (30 times/min @ 500g/90°)
Drop Resistance	47.24 inches(120cm) drop on concrete surface

### Readable Symbolologies

#### 1D Symbolologies

UPC-A, UPC-E, EAN-8/JAN-8, EAN-13/JAN-13, Code 39, Code 128, Interleaved 25, Industrial 25, Matrix 25, Codabar/NW7, Code 93, China Post, MSI/Plessey, Telepen, GS1 Databar Omni-directional, GS1 Databar Limited, GS1 Databar Expanded

#### 2D Symbolologies

Data Matrix, PDF 417, QR Code ,Micro PDF 417, Micro QR Code, Aztec and Dotcode  
Option:  
Maxi Code, Han Xin Code

Due to Champtek/Scantech ID's continuing product improvement programs, specifications and features are subject to change.