

# FI340

## Fixed Mount Area Imager Barcode Scanner



### Introduction

The FI340 Fixed Mount Scanner Series is a high performance, omni-directional area imager barcode scanner , delivering fast, high-volume hands-free scanning of virtually any 1D and 2D barcode. No matter what type of barcode is presented, or whether it is printed on paper or displayed on a mobile phone screen, the FI340 Series provides fast, accurate scanning. It is designed for various built-in and OEM solutions, such as self-service kiosks, POS (Point-of-Sales) terminals, ATM and any application needs to build in a barcode reader with cases protection.

A stand option can be ordered to facilitate hand-free reading in a tiny footprint that fits in the most space-constrained areas.

It supports up to 280mm reading depth of 1D and 2D barcode, its scan rate is up to 60 images per second. Based on CMOS technology for optimal image sensitivity and dynamic range, the FI340 features scanning speeds two times faster than traditional 2D imagers.

FI340 is a high performance area imager scanner, provides customers with the most cost-effective solution in the market and perfectly suitable and definitely the best choice for any OEM and built-in application.

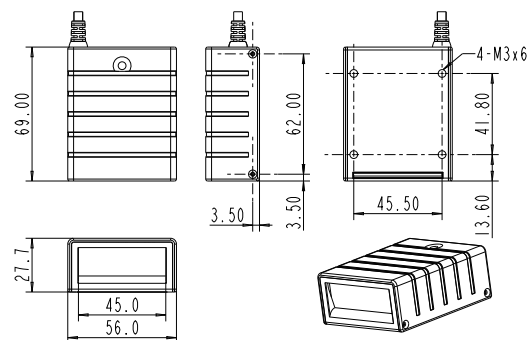
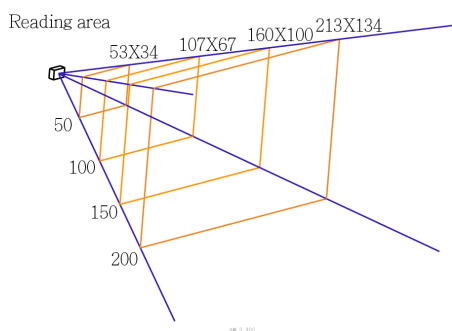
### Features

- Captures barcodes on mobile phone, tablet, or computer screens.
- Easily integrated with various OEM applications with 1D and 2D barcode scanning.
- Support various configurable reading modes.
- Clear aiming spot that makes barcode capture easily.
- With an optional stand is flexible for external application requirement.

# FI340

## Reading Range

Barcode	Depth of field
3mil Code39	50~90 mm
4mil Code39	45~100 mm
5mil Code39	40~120 mm
6mil Code39	30~140 mm
10mil Code39	30~220 mm
13mil Code39	30~230 mm
20mil Code39	30~280 mm
20mil QR Code	30~210 mm
20mil PDF417	30~120 mm
20mil Data Matrix	30~220 mm



Note: The test is under ambient light 700 ~ 800 Lux.

## Specifications

### Physical Characteristics

#### Weight

Body weight Approx. 3 oz (85g)

USB Cable weight Approx. 1.79 oz (51g)

RS232 Cable weight Approx. 2.32 oz (66g)

Material Polycarbonate

Dimension 56 mm W x 69 mm D x 28 mm H

### Electrical Characteristics

Interface RS232 USB-HID(or Virtual COM port)

DC Adaptor USB Power

Supply Voltage DC+5V±5% DC+5V±5%

Current Draw ±10% ±10%

Stand by (Typ.) 40mA 40mA

Operation (Typ.) 380mA 380mA

### Performance

Light Source White light LED

Sensor 1280 (H) x 800 (V) pixels

Field of view Horizontal – 55°, Vertical – 35°

Scan Rate 60 fps (at full resolution)

Reading Distance 280mm@20mil/0.5mm, PCS90%

Print Contrast Ratio PCS30%@5mil/0.127mm

Resolution 3mil/0.076mm@PCS90% Code39,

8mil/0.2mm@PCS90% QRCode

Reading Angle Test Conditions : Code 39, 10mil/0.25mm,PCS90%

Pitch Angle 5°~60° (±5°)

Skew Tolerance 5°~60° (±5°)

Ambient Light 100,000 Lux Max.

### Environmental

Operating Temperature 0 °C to 50 °C (32 °F to 122 °F)

Storage Temperature -20 °C to 70 °C (-4 °F to 158 °F)

Relative Humidity 20% to 95% (Non-condensing)

### Reliability

#### Life Time

MTBF(Calculated) 50,000 hours

#### Thermal Shock

Low Temp. -20 °C (-4°F)

Cycle time 30 minutes for high temp.,  
30 minutes for low temp.

Cycles 24 cycles

Mechanical Shock 2000G,0.7ms, half sinus, 3axes'

### Readable Symbolologies

#### 1D Symbolologies

UPC-A,UPC-E,EAN-8/JAN-8,EAN-13/JAN-13,Code 39,Code 128, Interleaved 25,Industrial 25,Matrix 25,Codabar/NW7, Code 93,China Post,MSI/Plessey,Telepen,GS1 Databar Omni-directional,GS1 Databar Limited, GS1 Databar Expanded

#### 2D Symbolologies

Data Matrix,PDF 417,QR Code Micro QR Code+Dot Code  
Option :

Aztec, Micro PDF 417, Han Xin Code, GM Code

Due to Champtek/Scantech ID's continuing product improvement programs, specifications and features are subject to change.