



IG710/BT

IP 54 Area Image Barcode Scanner

SCANTECH ID[®]
CHAMPTEK Group

Introduction

IG710 (wired) /IG710BT (wireless) is a brand new rugged type handheld area imager bar code scanner, which supports IP54 water and dust sealing protection, is designed especially for retail, logistic, health-care and warehousing management market. We include friendly functions and with replaceable multi-interface cable options that makes it more easily to be operated by customers to accommodate it to user's environments.

It supports up to 500 mm reading depth of field for the majority of 1D, 2D and GS1 DataBar™ bar codes. The scan rate is up to 120 scans per second in linear emulation and 60 images per second in 2D mode.

IG710BT equips with Class1 Bluetooth V2.1 EDR technology with the transmission range is up to 100m/328.08 ft. in line of open sight, supports both SPP and HID profiles and can easily pairs up with other Bluetooth V2.1 compatible equipments or systems. Supports out-of-range's batch transmission mode, the memory capacity can store up to 30,000 inputs of EAN13 barcodes.

In short, IG710/BT is a high performance rugged gun-type handheld area imager barcode scanner which provides customers with the most cost-effective solution in the market and perfectly suitable and definitely the best choice for any retail and logistic , health-care and warehouse management environment.

Features

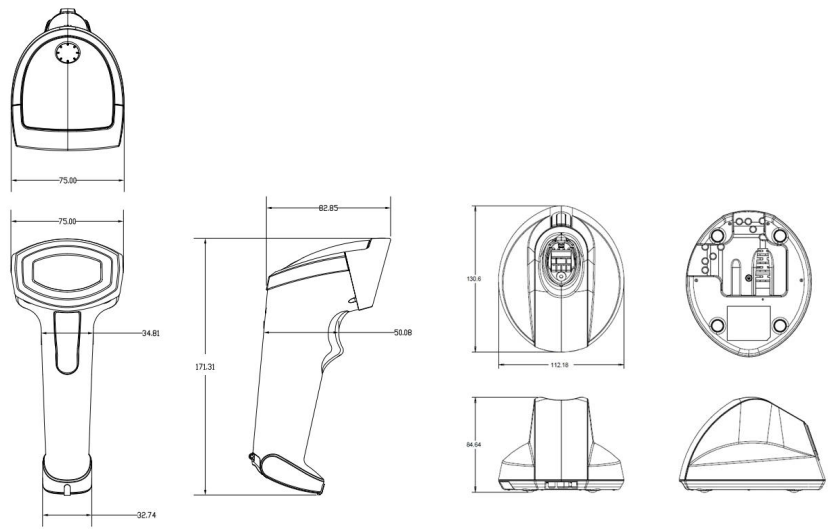
- Support 1D and 2D barcodes.
- Automatic detection reading mode.
- 3 in 1 combo interface that changes interface by replacing a cable.
- Rugged casing that supports IP54 sealing protection.
- Dropping resistance from 1.8m.
- By Bluetooth V2.1 Class 1 technology, range is up to 100m in line of open sight.
- Supports HID and SPP Bluetooth profiles.
- When in batch transmission mode, memory capacity stores up to 30,000 inputs of EAN13 barcodes.

Reading Range

Focus Range	Near	Far
5.0 mil Code 39	1.9 in./4.7 cm	7.7 in./19.4 cm
20 mil Code 39	Field of view limited	24.0 in./60.9 cm
6.67 mil PDF417	2.7 in./6.8 cm	7.0 in./17.9 cm
15 mil PDF417	Field of view limited	13.2 in./33.5 cm
10 mil Datamatrix	Field of view limited	8.3 in./21.0 cm
13 mil 100% UPC	2.8 in./7.2 cm	16.8 in./42.4 cm

(Note: Near distance is field of view limited by barcode size)

IG710/BT



Specifications

Physical Characteristics

Body weight	Approx. IG710 166g, IG710BT 228g (incl. Battery)
Cradle weight	Approx. 147.4g/ 5.2oz
Dimension	Scanner : 75.00mm(W) x 171.31mm(H) x 82.85mm(L) Cradle : 112.18mm(W) x 84.64mm(H) x 130.60mm(L)
Cable Length	5ft (150cm)
Material	ABS Plastic and Rubber
Connector	RJ48

Performance

Light Source	Visible red light 625nm LED
Scan Speed	120 scans per second in 1D mode 60 images per second in 2D mode
Resolution	752 (H) x 480 (V) pixels
View of field	40° Horizontal, 25° Vertical
Forward & Backward (Pitch)	±60° (from front to back)
Left & Right (Skew)	±60° (from plane parallel to symbol(side- to-side))
Rotational Tolerance	±180°
Interface	RS-232, USB (HID KBW or Virtual comport)
Indicators	Green = good read

Electrical Characteristics

Interface	RS232	USB(HID KBW)	USB(Virtual Com.)
Supply Voltage	DC Adaptor DC +5V 5%	USB Power	USB Power
Stand by (Typ.)	IG710 IG710BT	50mA 90mA	
Operation (Typ.)	IG710 IG710BT	280mA 400mA	
Voltage Battery	Li-Ion 3.7V/2,600 mAh		
Charge Time	Approx.5 hours		
Readers per charge	20,000Times		

Environmental

Operating Temp.	0°C to 50°C (32°F to 122°F)
Storage Temp.	-20°C to 70°C (-4°F to 158°F)
Relative Humidity	20% to 95% (Non-condensing)
Ambient light	100,000 Lux Max. (Sunlight)
Sealing	Designed to IP54 water and dust protection

Reliability

Life Time	
Trigger Switch	1,000,000 times
MTBF(Calculated)	50,000 hours

Radio Characteristics

Bluetooth Module	Bluetooth V2.1 EDR
Frequency Band	2.402GHz ~ 2.480GHz
Transmission Range	Up to 100M(328.08FT.) line of sight
RF Output Power	Class 1 (under 20dBm)
Cable Bending Test	25,000 times minimum (30 times/min @ 500g/90°)
Drop	70.86 inches(180cm) drop on concrete surface

Readable Symbolologies

1D Symbolologies
EAN/UPC, UCC/EAN128, ISBN, ISBT, Code 11, Code 39, Code 93/93i, Code 128, Interleaved, Matrix, Industrial, Standard 2 of 5, Codabar, MSI, Plessey, Telepen, Postal codes, GS1 DataBar

2D Symbolologies
Data Matrix, Data Matrix Inverse, PDF 417, Micro PDF 417, Maxicode, QR code, QR code Inverse, Aztec (& Inverse), EAN.UCC composite, MicroQR code

Due to Champtek's / Scantech ID's continuing product improvement programs, specifications and features are subject to change without notice.