



SG800/BT

Linear Imager Barcode Scanner

CHAMPTEK[®]
We value your ID's

Introduction

SG800/BT is a brand new general purpose gun-type linear imager barcode scanner which is designed especially for retail, logistic and warehousing management market. We include friendly functions with replaceable multiple interface cable options that makes it more easily to be operated by the customers to accommodate itself to user environment.

SG800/BT has most modern design with its auto-shuttle-emulation alike smart detection, offers superior decoding performance on a reading speed up to 500 scans per second and up to 550mm reading depth for the majority of 1D bar codes and GS1 DataBar™ codes. A stand option can be ordered to facilitate hand-free reading options.

At auto-sense mode, it senses an object approaching and turns on the light to read barcodes. With its intelligent Activation, it automatically switches from button trigger mode to auto-sense mode while placing scanner on its stand or charging cradle. Its innovative magnetic contact charging design, makes charging quick and accurate.

In short, SG800/BT provides customers with the most cost-effective solution in the market. It is perfectly suitable and definitely the best choice for any retail, logistic and warehousing environment.

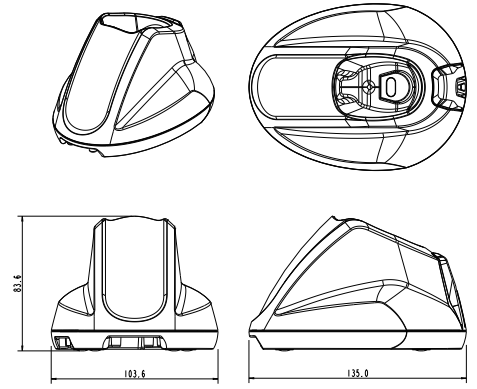
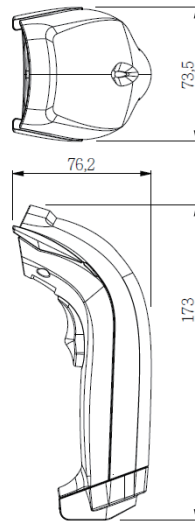
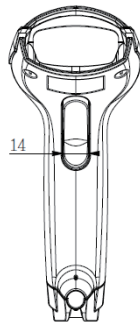
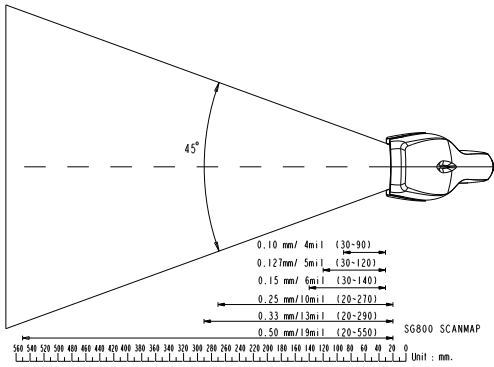
Features

- Support major 1D and GS1 Databar linear and stacked codes.
- Various configurable reading modes supported.
- Smart detection, reading speed up to 500 scans per second.
- Support automatic sense reading and is able to read under 0 Lux dark environment.
- Support multiple interface options, USB HID, Virtual COM and RS-232.
- Designed as IP42 sealing protection.
- With intelligent activation*, it automatically switches over to automatic-sense reading while placed on the stand/cradle. Note:*Only for SG801 and SG800BT
- Both contact and air 16KV Electro-Static discharge.
- A stand option can be ordered to facilitate hand-free reading options.
- Vibration when scanning (optional)
- Applicable on Android tablet or smart phone with optional cable.
- Direct charge with magnetic connector (available for SG805BT)
- Innovative direct charge with magnetic connector



SG800/BT

Scan Map



Unit: mm

Specifications

Physical Characteristics

SG800

Body Weight	Approx. 110g/3.88oz
Material	ABS/Rubber
Dimension	73.5 mm W x 173mm D x 76.2 mm H
Color Available	Black/Gray

SG800BT

Scanner weight	Approx. 165g/5.83oz
Cradle weight	Approx. 170g/6.0oz
Dimension	Scanner : 73.5 mm W x 173mm D x 76.2 mm H Cradle : 103.6 mm W x 135mm D x 83.6 mm H

Performance

Light Source	Visible Red light 635±5nm
Sensor	Linear CCD Sensor
Scan Speed	Smart detection, up to 500 scans per second
Reading Distance	Up to 550mm@20mil/0.5mm, PCS90%, Code39
Print Contrast Ratio (Minimum)	25%
Resolution	4mil/0.1mm@PCS90%, Code39
Indicator	Beep and LED (Good read Green)
Reading Angle	<i>Test Conditions : Code 39, 10mil/0.25mm, PCS90%</i>
Pitch Angle	±10°~65° (±5°)
Skew Tolerance	±60° (±5°)
Ambient Light	100,000 Lux Max.
Sealing	IP42 water and dust protection

Electrical Characteristics

SG800 Scanner

Voltage	DC 5V
Power Consumption	140mA, stand-by:45mA

SG800BT Scanner

Voltage Battery	Li-Ion 3.7V/2600mA
Recharge time	Approx. 5 hours
Reads per charge	50,000 times in continuous read

SG800BT Cradle

Voltage	DC 5V
Power Consumption	
Power On	95mA
Stand by	55mA
Operation	70mA
LED Indicator	Good read: Green Bluetooth Communication: Blue

Radio Characteristics

Bluetooth Module	Bluetooth V2.1 EDR
Frequency Band	2.402GHz~2.480GHz
Transmission Range	Up to 100M(328.08FT.) line of sight
RF Output Power	Class 1 (under 20dBm)

Reliability

MTBF(Calculated) SG800	50,000 hours minimum
SG800BT	40,000 hours minimum
Cable Bending Test	30 times/min@500g/90°
Drop	59.05 inches(150cm) drop on concrete surface

Readable Symbologies

All UPC/EAN/JAN, EAN128 Code, Code 39, Code 39 Full ASCII Code32 / Italian Pharmacy, Code 128, CODABAR/NW7 Interleave 25, Industrial 25, Matrix 25, MSI/PLESSEY, Telepen Code 93, Code 11, China Postage, Code 26, LCD25, GS1 DataBar

Due to Champtek/Scantech ID's continuing product improvement programs, specifications and features are subject to change