

SPECIFICATION

Customer : _____

Customer's Model No. : _____

Model No. : **IG620** General Purpose Area Image Barcode Scanner

Date : _____

Sample Serial No. : _____

Spec. Version & Revision Date: V00 2017.8.1

Received/Approved by

CHAMPTEK[®]
阿丹電子企業股份有限公司

Web : <http://www.champtek.com>

E-mail : sales@champtek.com

Champtek Incorporated

5/F, No. 2, Alley 2, Shih-Wei Lane, Chung Cheng Rd.,
Hsin Tien District, New Taipei City, Taiwan, R.O.C.

Tel : 886-2-22192385

Fax : 886-2-22192387

Revision History

Version	Date	Context
V00	2017.03.15	Release

TABLE OF CONTENTS

A.	General Description	4
B.	Physical Characteristics	5
C.	Electrical Characteristics	9
D.	Performance	9
E.	Environmental.....	9
F.	Depth of field	9
G.	Readable Symbologies.....	10
H.	Reliability.....	11

A. General Description

IG620 is a brand new general purpose handheld area imager bar code scanner which is designed especially for retail, logistic and health care management market. We include friendly functions with replaceable multiple interface cable options that makes it more easily to be operated by customers to accommodate it to user environments.

IG620 supports with up to 300mm reading depth of 1D and 2D barcode, its scan rate is up to 60 images per second. Based on CMOS technology for optimal image sensitivity and dynamic range, the IG620 features scanning speeds two times faster than traditional 2D imagers.

In short, IG620 is a high performance handheld area imager scanner provides customers with the most cost-effective solution in the market and perfectly suitable and definitely the best choice for any retail and logistic environment.



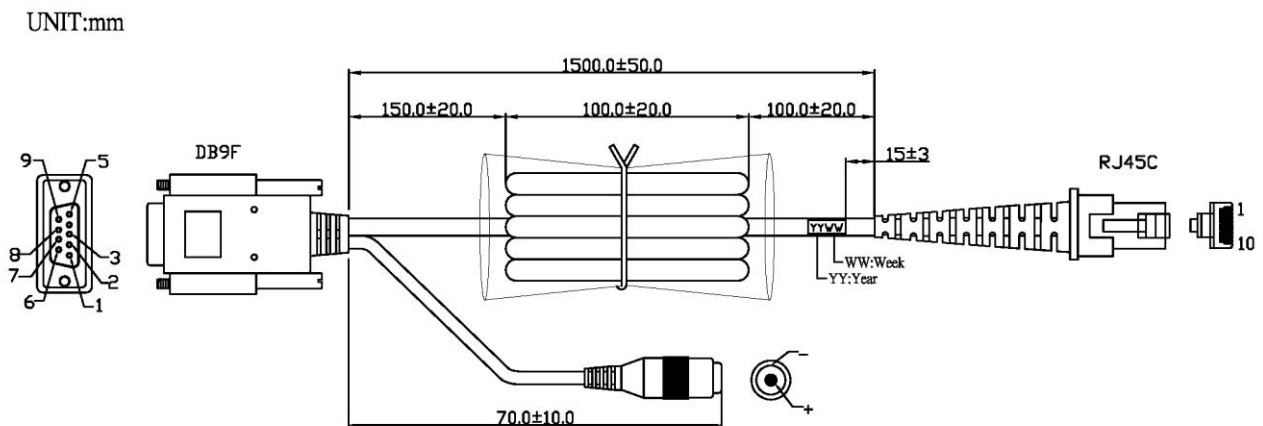
B. Physical Characteristics

Weight			
Body weight	Approx.	120g	
RS232 Cable weight	Approx.	81g	
USB Cable weight	Approx.	59g	
AC adaptor	Approx.	109g	
Dimension	71.13 mm W x 169.27mm D x 62.61mm H		
Material	ABS Plastic and Rubbe		
Connector	RJ 45C 10Pins		

Cable drawing

Unit : mm

(a)RS232 Interface :

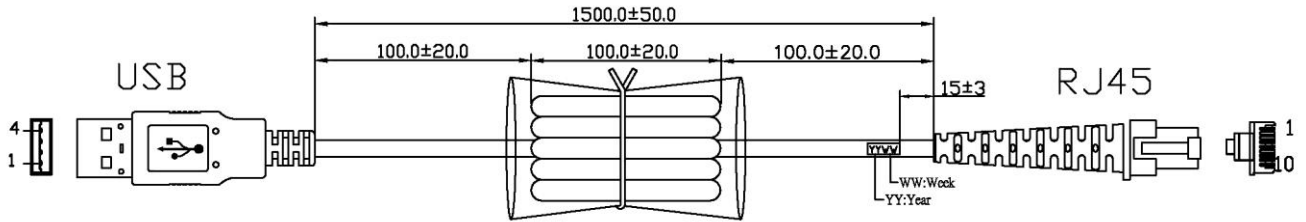


DB9F	RJ45C	DC JACK	FUNCTION	COLOR
5	3	Shell	GND	Brown
9	5	CORE	DC +5V	Red
2	7		TXD	Orange
3	9		RXD	Yellow
8	1		RTS	Green
7	10		CTS	Blue
Shell			Spiral	

(b)USB (HID KBW) interface:

(c)USB (Victual Com port) interface :

UNIT:mm



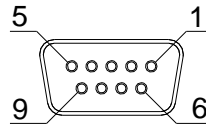
USB	RJ45	FUNCTION	COLOR
1	5	VCC	Red
2	4	D-	Bluc
3	2	D+	Green
4	3	GND	Brown
ShcIl	3	SHIELDING	

Pin Assignment

(1) RS-232 Interface

DB 9 Female

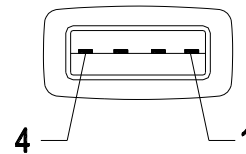
Pin No.	Function
2	TXD
3	RXD
5	GND
7	CTS
8	RTS
9	Vcc/+5V
Power Lead	Vcc/+5V



(2) USB Interface

USB A Type Male

Pin No.	Function
1	Vcc
2	D-
3	D+
4	GND

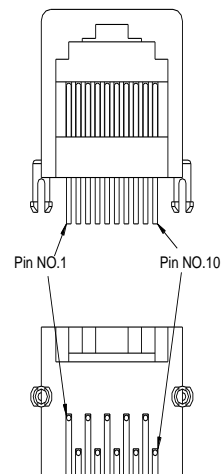


Decoder Data Output

Type RJ45 10P

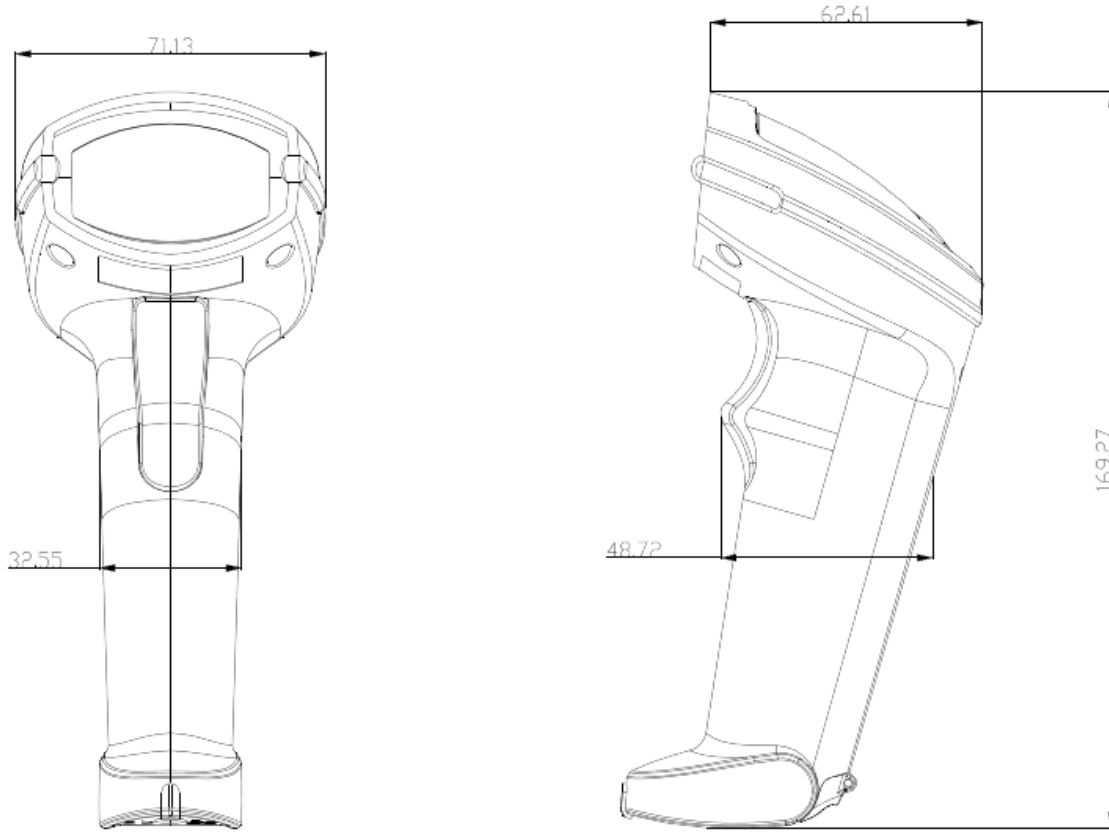
Pin No. Function

1	RTS
2	HOSTDATA
3	GND
4	HOST CLK
5	Vcc (+5V)
6	KB CLK
7	TXD
8	KB DATA
9	RXD
10	CTS



Body Dimension

Unit: mm



C. Electrical Characteristics

Interface	RS232	USB(HID KBW)
Supply Voltage	DC Adaptor	USB Power
		DC +5V 5%
Current Draw		±10%
Stand by (Typ.)	180 mA	180 mA
Operation (Typ.)	360 mA	360 mA

D. Performance

Light source	Visible red light 625nm(±5nm) LED
Resolution	752 (H) x 480 (V) pixels
View of field	Horizontal - 40°, Vertical - 25°
Scan rate	60 fps (at full resolution)
Interface	RS-232, USB (HID KBW or Virtual comport)
Indicators	Green = good read

E. Environmental

Operating Temp.	0°C to 50°C (32°F to 122°F)
Storage Temp.	-20°C to 70°C (-4°F to 158°F)
Relative Humidity	20% to 95% (Non-condensing)
Ambient light	100,000 Lux Max. (Sunlight)

F. Depth of field

Barcode	Depth of field
4mil Code39	40~80 mm
5mil Code39	40~110 mm
6mil Code39	40~120 mm
10mil Code39	40~180 mm
13mil Code39	30~250 mm
20mil Code39	30~300 mm
20mil QR Code	40~180 mm
10mil PDF417	35~120 mm
20mil PDF417	50~150 mm
20mil Data Matrix	50~240 mm

G. Readable Symbolologies

1D Symbolologies	Readable	Default Enable
UPC-A	V	V
UPC-E	V	V
EAN-8/JAN-8	V	V
EAN-13/JAN-13	V	V
Code 39	V	V
Code 128	V	V
Interleaved 25	V	
Industrial 25	V	
Matrix 25	V	
Codabar/NW7	V	
Code 93	V	
China Post	V	
MSI/Plessey	V	
Telepen	V	
GS1 Databar Omni-directional	V	
GS1 Databar Limited	V	
GS1 Databar Expanded	V	

2D Symbolologies	Readable	Default Enable
Aztec		
Aztec Mesas		
Data Matrix	V	V
Maxi Code		
PDF 417	V	V
Micro PDF 417		
QR Code	V	V
Micro QR Code		
GM Code		
Han Xin Code		

H. Reliability

Life Time

Trigger Switch	1,000,000 times
MTBF(Calculated)	50,000 hours

Thermal Shock

High Temp.	50°C (122°F)
Low Temp.	-20°C (-4°F)
Cycle time	30 minutes for high temp. , 30 minutes for low temp.
Cycles	24 cycles

Cable Bending Test 25,000 times minimum (30 times/min @ 500g/90°)

Drop resistance 59.05 inches(150cm) drop on concrete surface