

SPECIFICATION

Customer :

Customer's Model No. :

Model No. : **IG820** Gun-type Area Image Barcode Scanner

Date :

Sample Serial No. :

Spec. Version & Revision Date: V03 2019.06.13

Received/Approved by

--



ChampTek Incorporated

5F, No. 2, Alley 2, Shih-Wei Lane, Chung Cheng Rd.,
Xindian District, New Taipei City 231, Taiwan

[Http://www.champtek.com](http://www.champtek.com)

TEL : 886-2-22192385

E-mail : sales@champtek.com

FAX : 886-2-22192387

Revision History

Version	Date	Context
V00	2018.08.22	Release
V01	2018.09.20	Update Resolution
V02	2019.05.03	Update Performance
V03	2019.06.13	Update Performance

SPECIFICATION.....	1
A. General Description	4
B. Physical Characteristics	5
C. Electrical Characteristics.....	8
D. Performance	8
E. Environmental.....	8
F. Readable Symbologies	9
G. Scan Map.....	10
H. Reliability.....	11

A. General Description



IG820 is a brand new general purpose gun-type Area Image Barcode Scanner which is designed especially for retail, logistic and warehousing management market. We include friendly functions with replaceable multiple interface cable options that makes it more easily to be operated by the customers to accommodate itself to user environment.

IG820 has most modern design with rugged casing and supports IP42 sealing protection, with its auto-shuttle-emulation alike smart detection, for the majority of 1D /2D bar codes and GS1 DataBar™ codes. An optional stand can be ordered to facilitate hand-free reading application.

With its auto-sense mode, it will automatically turns off and senses a object in front of it to switch on reading, can extend its lifespan.

In short, IG820 provides customer with the most cost-effective solution in the market. It is perfectly suitable and definitely the best choice for any retail and logistic environment.

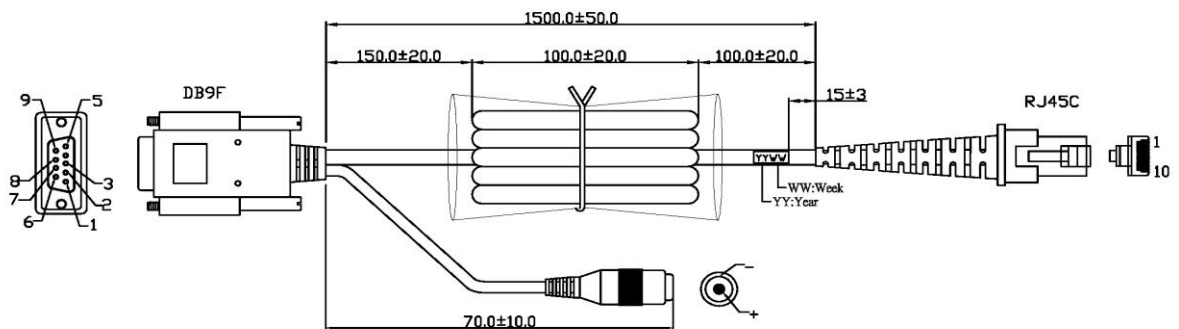
B. Physical Characteristics

Weight	
Body weight	Approx. 110g / 3,88 oz
Material	ABS / Rubber
Cable Length	5FT. (150cm)
Connector	RJ 45C 10Pins
Dimension	73.5 mm W x 76.2mm H x 173.0 mm L
Color Available	Black / Gray

a. Cable drawing (Unit:mm)

(1) RS232

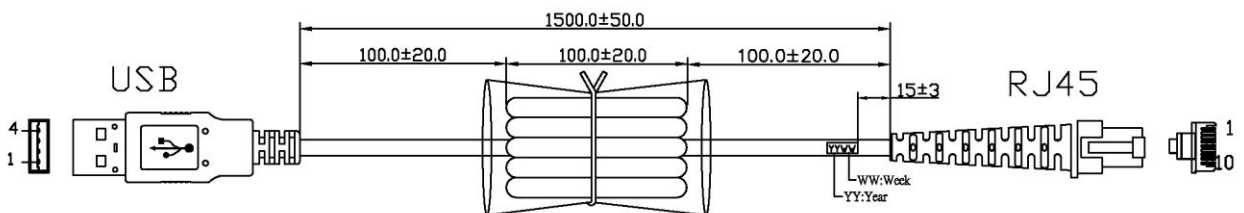
UNIT:mm



DB9F	RJ45C	DC JACK	FUNCTION	COLOR
5	3	Shell	GND	Brown
9	5	CORE	DC +5V	Red
2	7		TXD	Orange
3	9		RXD	Yellow
8	1		RTS	Green
7	10		CTS	Blue
Shell			Spiral	

(2) USB

UNIT:mm



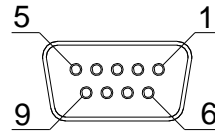
USB	RJ45	FUNCTION	COLOR
1	5	VCC	Red
2	4	D-	Blue
3	2	D+	Green
4	3	GND	Brown
Shell	3	SHIELDING	

b. Pin Assignment

(1) RS-232 Interface

DB 9 Female

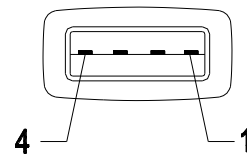
Pin No.	Function
2	TXD
3	RXD
5	GND
7	CTS
8	RTS
9	Vcc/+5V
Power Lead	Vcc/+5V



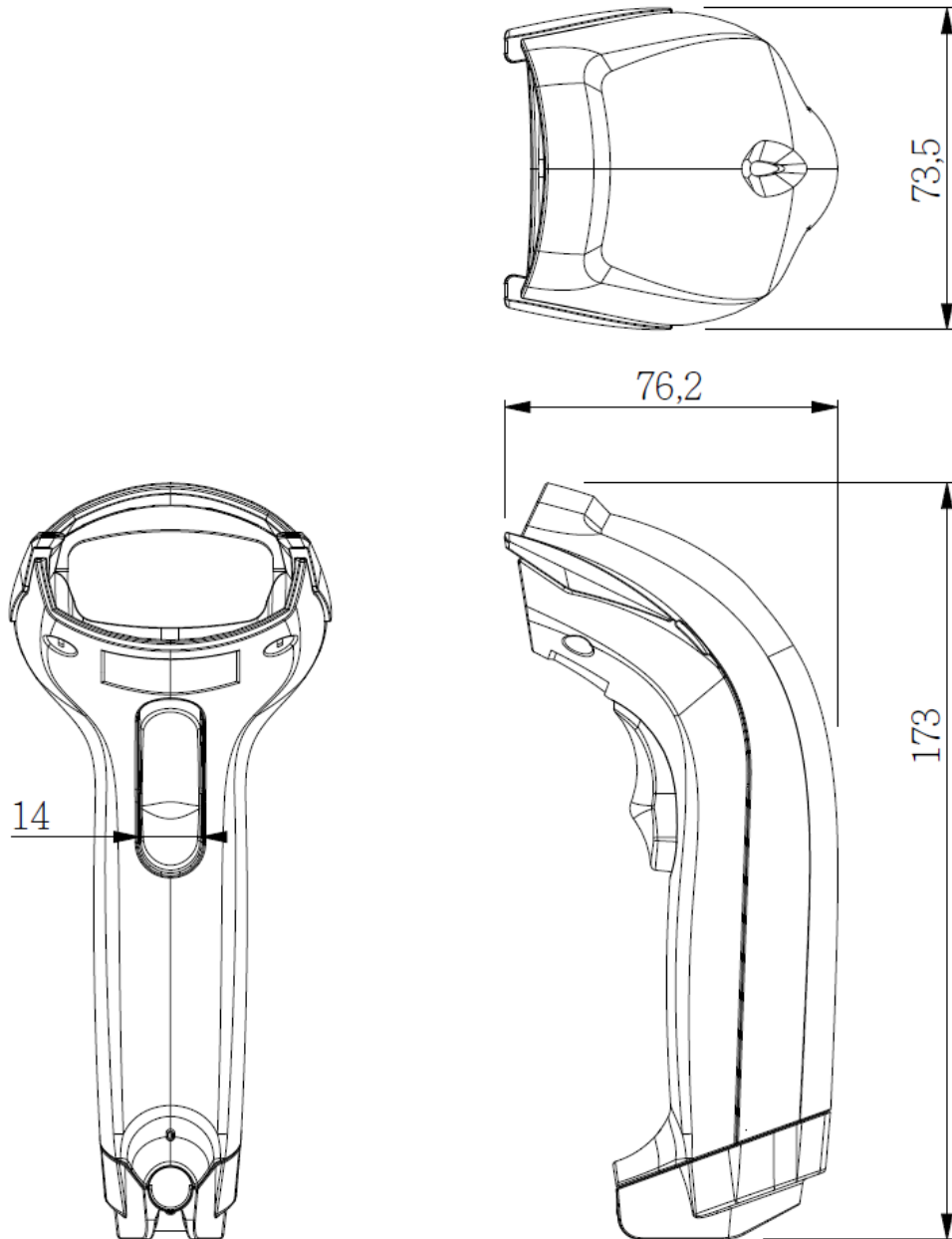
(2) USB Interface

USB A Type Male

Pin No.	Function
1	Vcc
2	D-
3	D+
4	GND



Unit: mm



C. Electrical Characteristics

Interface	RS232	USB
Supply Voltage		
Output Voltage (Typ.)	±9V	+5V
Current Draw		
Stand by (Typ.)	45 mA	40 mA
Operation (Typ.)	440mA	370 mA

D. Performance

Light Source	White light LED
Sensor	1280 (H) x 800 (V) pixels
Field of view	Horizontal – 55°, Vertical – 35°
Scan Rate	60 fps (at full resolution)
Reading Distance	350mm@20mil/0.5mm, PCS90%
Print Contrast Ratio	PCS30%@5mil/0.127mm
Resolution	3mil/0.076mm@PCS90% Code39, 8mil/0.2mm@PCS90% QRCode
Reading Angle	<i>Test Conditions : Code 39, 10mil/0.25mm,PCS90%</i>
Pitch Angle	5°~60° (±5°)
Skew Tolerance	5°~60° (±5°)
Ambient Light	100,000 Lux Max.
Sealing	IP42 water and dust protection

E. Environmental

Operating Temperature	0 °C to 50 °C (32 °F to 122 °F)
Storage Temperature	-20 °C to 70 °C (-4 °F to 158 °F)
Relative Humidity	20% to 95% (Non-condensing)

F. Readable Symbologies

1D Symbologies	Readable	Default Enable
UPC-A	V	V
UPC-E	V	V
EAN-8/JAN-8	V	V
EAN-13/JAN-13	V	V
ISSN	V	
UCC Coupon Extended Code	V	
Code 39	V	V
Code 39 Full ASCII	V	
Code 128	V	V
Codabar/NW7	V	V
Interleaved 25	V	V
Industrial 25	V	
Matrix 25	V	
Code 93	V	
China Post	V	
Code 11	V	
MSI/Plessey	V	
Telepen	V	
GS1 Databar Omni-directional	V	
GS1 Databar Limited	V	
GS1 Databar Expanded	V	

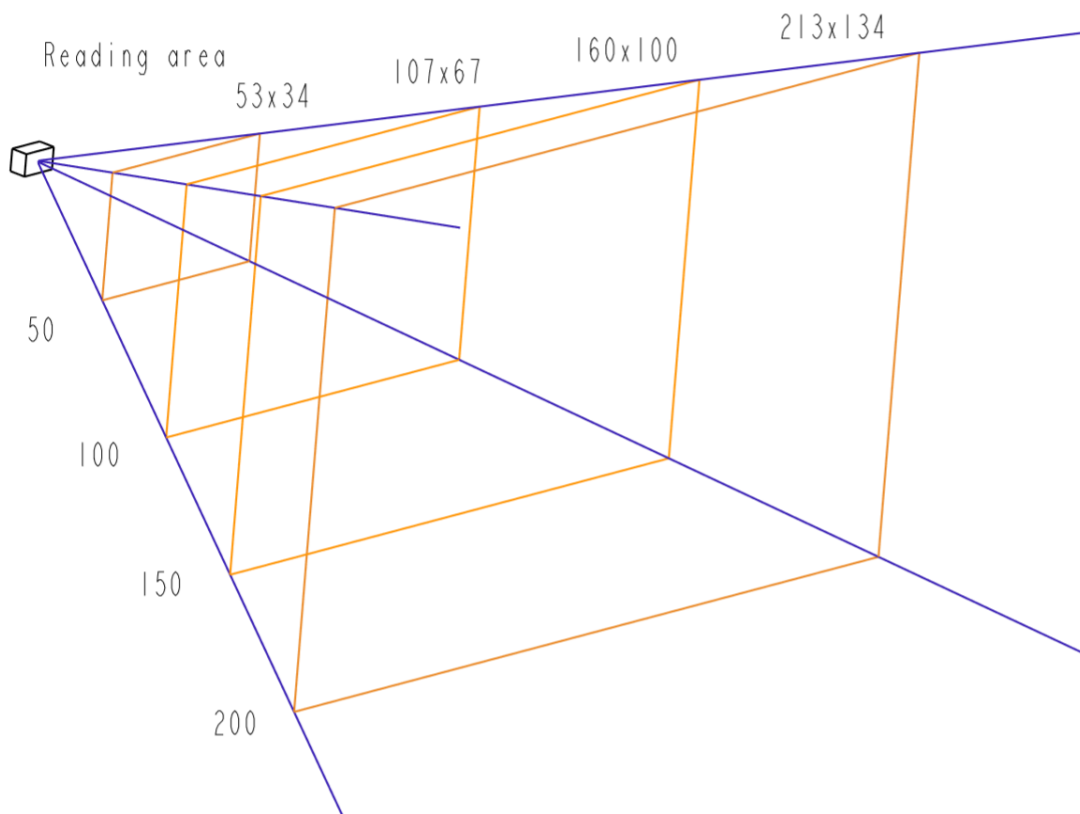
2D Symbologies	Readable	Default Enable
Aztec	V	
Data Matrix	V	V
PDF 417	V	V
Micro PDF 417	Optional	
QR Code	V	V
Micro QR Code	V	
GM Code	Optional	
Han Xin Code	Optional	

G. Scan Map

Barcode	Depth of field
3mil Code39	40 ~ 80 mm
4mil Code39	35 ~ 90 mm
5mil Code39	35 ~ 130 mm
6mil Code39	30 ~ 140 mm
10mil Code39	30 ~ 200 mm
13mil Code39	30 ~ 250 mm
20mil Code39	30 ~ 350 mm
20mil QR Code	30 ~ 180 mm
20mil PDF417	30 ~ 110 mm
20mil Data Matrix	30 ~ 180 mm

Note:

1. The test is under ambient light 700 ~ 800 Lux.
2. Reading area



H. Reliability

Life Time	
Trigger Switch	1,000,000 times
MTBF(Calculated)	50,000 hours
Thermal Shock	
High Temp.	50 °C (122 °F)
Low Temp.	-20 °C (-4 °F)
Cycle time	30 minutes for high temp. , 30 minutes for low temp.
Cycles	24 cycles
Cable Bending Test	25,000 times minimum (30 times/min @ 500g/90 °)
Drop resistance	70.86 inches(180cm) drop on concrete surface
Electro-Static Discharge	Both contact and air at up to 16KV