



FI323

Fixed Mount Area Imager Barcode Scanner

CHAMPTEK[®]
We value your ID's

Introduction

The FI323 Fixed Mount Scanner Series is a high performance, omni-directional area imager barcode scanner, delivering fast, high-volume hands-free scanning of virtually any 1D and 2D barcode. No matter what type of barcode is presented, or whether it is printed on paper or displayed on a mobile phone screen, the FI323 Series provides fast, accurate scanning. It is designed for various built-in and OEM solutions, such as self-service kiosks, POS (Point-of-Sales) terminals, ATM and any application needs to build in a barcode reader with cases protection.

A stand option can be ordered to facilitate hand-free reading in a tiny footprint that fits in the most space-constrained areas.

It supports up to 200mm reading depth of 1D and 2D barcode, its scan rate is up to 60 images per second. Based on CMOS technology for optimal image sensitivity and dynamic range, the FI323 features scanning speeds two times faster than traditional 2D imagers.

FI323 is a high performance area imager scanner, provides customers with the most cost-effective solution in the market and perfectly suitable and definitely the best choice for any OEM and built-in application.

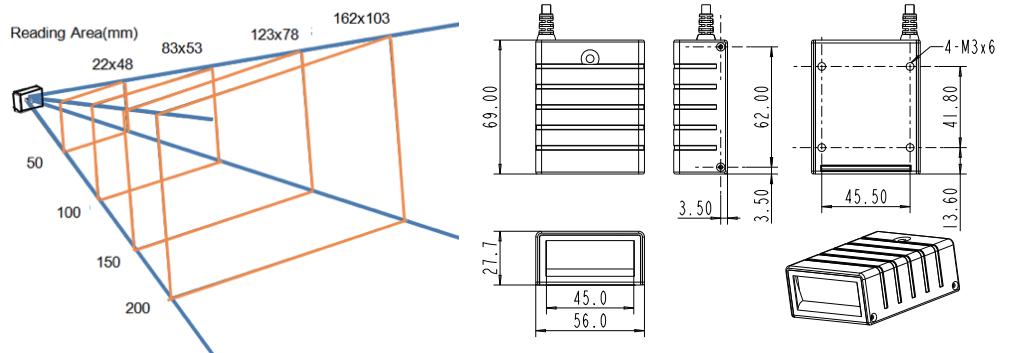
Features

- Captures barcodes on mobile phone, tablet, or computer screens.
- Easily integrated with various OEM applications with 1D and 2D barcode scanning.
- Support various configurable reading modes.
- Clear aiming spot that makes barcode capture easily.
- With an optional stand is flexible for external application requirement.

FI323

Reading Range

Barcode	Depth of field
4mil Code39	60~90 mm
5mil Code39	50~100 mm
6mil Code39	50~110 mm
10mil Code39	40~180 mm
13mil Code39	40~190 mm
20mil Code39	40~200 mm
20mil QR Code	40~150 mm
10mil PDF417	50~120 mm
20mil PDF417	40~150 mm
20mil Data Matrix	50~130 mm



Note: The test is under ambient light 700 ~ 800 Lux.

Specifications

Physical Characteristics

Weight	
Body weight	Approx. 3 oz (85g)
USB Cable weight	Approx. 1.79 oz (51g)
RS232 Cable weight	Approx. 2.32 oz (66g)
Material	
Polycarbonate	
Dimension	
56 mm W x 69 mm D x 28 mm H	

Electrical Characteristics

Interface	RS232	USB-HID(or Virtual COM port)
	DC Adaptor	USB Power
Supply Voltage	DC+5V±5%	DC+5V±5%
Current Draw	±10%	±10%
Stand by (Typ.)	180mA	180mA
Operation (Typ.)	380mA	380mA

Performance

Light Source	White light LED
Sensor	752 (H) x 480 (V) pixels
Field of view	Horizontal – 40°, Vertical – 25°
Scan Rate	60 fps (at full resolution)
Reading Distance	200mm@20mil/0.5mm, PCS90%
Print Contrast Ratio	PCS30%@5mil/0.127mm
Resolution	4mil/0.1mm@PCS90% Code39, 10mil/.26mm@PCS90% QRCode
Reading Angle	Test Conditions : Code 39, 10mil/0.25mm,PCS90%
Pitch Angle	5°~60° (±5°)
Skew Tolerance	5°~60° (±5°)
Ambient Light	100,000 Lux Max.

Environmental

Operating Temperature	0 °C to 50 °C (32 °F to 122 °F)
Storage Temperature	-20 °C to 70 °C (-4 °F to 158 °F)
Relative Humidity	20% to 95% (Non-condensing)

Reliability

Life Time	
MTBF(Calculated)	50,000 hours
Thermal Shock	
Low Temp.	-20 °C (-4°F)
Cycle time	
30 minutes for high temp., 30 minutes for low temp.	
Cycles	
24 cycles	
Mechanical Shock	
2000G,0.7ms,half sinus,3axes'	

Readable Symbolologies

1D Symbolologies

UPC-A,UPC-E,EAN-8,JAN-8,EAN-13,JAN-13,Code 39,Code 128, Interleaved 25,Industrial 25,Matrix 25,Codabar/NW7, Code 93,China Post,MSI/Plessey,Telepen,GS1 Databar Omni-directional,GS1 Databar Limited, GS1 Databar Expanded

2D Symbolologies

Data Matrix,PDF 417,QR Code
Option :
Aztec,Micro PDF 417,Micro QR Code,Han Xin Code,GM Code

Due to Champtek/Scantech ID's continuing product improvement programs, specifications and features are subject to change.