



# IG623

## General Purpose Area Imager Barcode Scanner

**CHAMPTEK**<sup>®</sup>  
We value your ID's

### Introduction

IG623 is a brand new general purpose handheld area imager bar code scanner which is designed especially for retail and logistic management market. We include friendly functions and with replaceable multiple interface cable option that makes it easily to be operated by customers to accommodate it to user environments.

IG623 supports up to 250mm reading depth for 1D and 2D barcode, its scan rate is up to 60 images per second. Based on CMOS technology for optimal image sensitivity and dynamic range, the IG623 features scanning speeds two times faster than traditional 2D imagers. A stand option can be ordered to facilitate hand-free reading options.

In short, IG623 is a high performance handheld area imager scanner provides customers with the most cost-effective solution in the market and perfectly suitable and definitely the best choice for any retail and logistic environment.

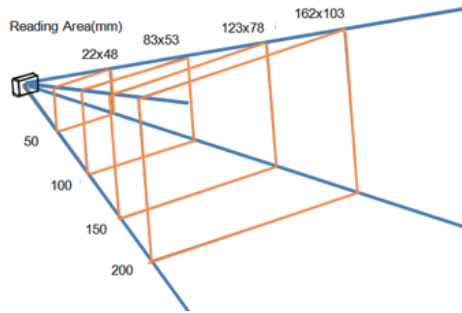
### Features

- Support major 1D, 2D Barcodes plus GS1 Databar codes.
- Automatic detect reading mode.
- Combo Interface support, to change interface easily by replacing a cable.
- Support IP42 sealing protection.

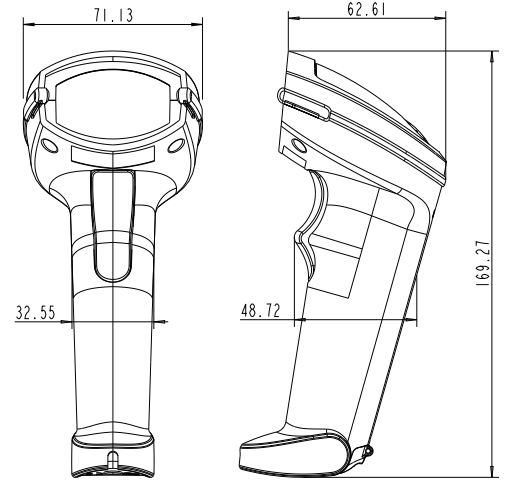
# IG623

## Depth of field

Barcode	Depth of field
3mil Code39	40~60mm
4mil Code39	40~90 mm
5mil Code39	30~100 mm
6mil Code39	30~110 mm
10mil Code39	30~150 mm
13mil Code39	30~180 mm
20mil Code39	30~250 mm
20mil QR Code	30~150 mm
10mil PDF417	30~110 mm
20mil PDF417	30~150 mm
20mil Data Matrix	30~200 mm



Note:  
The test is under ambient light 700 ~ 800 Lux.



Unit: mm

## Specifications

### Physical Characteristics

Weight	
Body weight	Approx. 120 g
Material	
	ABS Plastic and Rubber
Connector	
	RJ 45C 10Pins
Dimension	
	71.13 mm W x 62.61mm H x 169.27 mm L

### Electrical Characteristics

Interface	RS232	USB-HID (or Virtual COM port)
	DC Adaptor	USB Power
Supply Voltage		DC +5V±5%
Current Draw		±10%
Stand by (Typ.)	180 mA	180 mA
Operation (Typ.)	380 mA	380 mA

### Performance

Light Source	White light LED	
Sensor	752 (H) x 480 (V) pixels	
Field of view	Horizontal – 40°, Vertical – 25°	
Scan Rate	60 fps (at full resolution)	
Reading Distance	250mm@20mil/0.5mm, PCS90%	
Print Contrast Ratio	PCS45%@5mil/0.127mm	
Resolution	3mil/0.076mm@PCS90% Code39, 10mil/.26mm@PCS90% QRCode	
Reading Angle	Test Conditions : Code 39, 10mil/0.25mm,PCS90%	
Pitch Angle	5°~60° (±5°)	
Skew Tolerance	5°~60° (±5°)	
Ambient Light	100,000 Lux Max.	

### Environmental

Operating Temperature	0 °C to 50 °C (32 °F to 122 °F)
Storage Temperature	-20 °C to 70 °C (-4 °F to 158 °F)
Relative Humidity	20% to 95% (Non-condensing)

### Reliability

Life Time	
Trigger Switch	1,000,000 times
MTBF(Calculated)	50,000 hours
Thermal Shock	
High Temp.	50 °C (122 °F)
Low Temp.	-20 °C (-4 °F)
Cycle time	30 minutes for high temp. , 30 minutes for low temp.
Cycles	24 cycles
Cable Bending Test	25,000 times minimum (30 times/min @ 500g/90°)
Drop Resistance	59.05 inches (150cm) drop on concrete surface

### 1D Symbolgies

UPC-A, UPC-E, EAN-8/JAN-8, EAN-13/JAN-13, Code 39, Code 128, Interleaved 25, Industrial 25, Matrix 25, Codabar/NW7, Code 93, China Post, MSI/Plessey, Telepen, GS1 Databar Omni-directional, GS1 Databar Limited, GS1 Databar Expanded

### 2D Symbolgies

Data Matrix, PDF 417, QR Code  
Option:  
Aztec, Micro PDF 417, Micro QR Code, Han Xin Code, GM Code

Due to Champtek's/Scantech ID's continuing product improvement programs, specifications and features are subject to change without notice.