

SPECIFICATION

Customer : _____

Customer's Model No. : _____

Model No. : **LG610 Laser Bar Code Scanner Series**

Date : _____

Sample Serial No. : _____

Spec. Version & Revision Date: V01 2015.12.15

Received/Approved by

CHAMPTEK[®]

[Http://www.champtek.com](http://www.champtek.com)

E-mail : sales@champtek.com

ChampTek Incorporated

5/F, No. 2, Alley 2, Shih-Wei Lane, Chung Cheng Rd.,
Xindian District, New Taipei City 231, Taiwan

TEL : 886-2-22192385

FAX : 886-2-22192387

Revision History

Version	Date	Context
V00	2015.04.10	Initial Release
V01	2015.12.15	Add IP42 description

TABLE OF CONTENTS

A. General Description	1
B. Physical Characteristics	2
C. Electrical Characteristics	7
D. Performance	7
E. Environmental	7
F. Readable Symbologies	8
G. Scan Map.....	9
H. Reliability.....	9
I. Packing	10

A. General Description



LG610 is a general purpose gun-type laser bar code scanner which is designed especially for retail, logistic and warehousing management market. We include friendly functions with replaceable multiple interface cable options that makes it more easily to be operated by the customers to accommodate itself to user environment.

LG610 has most modern design with casing supports IP42 sealing protection, reading range up to 300 mm for the majority of 1D bar codes and GS1 DataBar™ codes. With its built-in automatic sense to switch on reading can extend its lifespan. A stand option can be ordered to facilitate hand-free reading options.

In short, LG610 is a high performance laser bar code scanner, which provides the customer with the most cost-effective solution in the market. It is perfectly suitable and definitely the best choice for any retail and logistic environment.



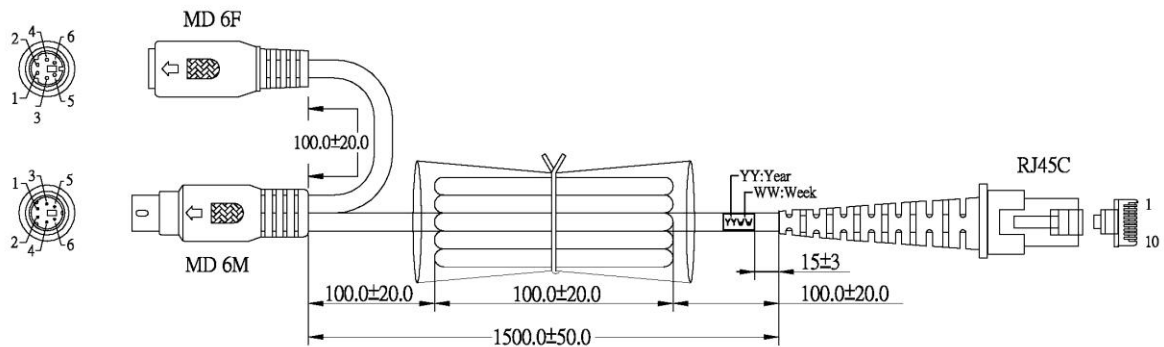
B. Physical Characteristics

Weight	
Body weight	Approx. 123g / 4.348oz
Material	
	ABS and Rubber
Cable Length	
	5FT. (150cm)
Connector	
	RJ 45C 10Pins
Dimension	
	71.13 mm W x 62.61mm H x 169.27 mm L
Color Available	
	Black (Cap & Grip) / Black(Cap), Beige (Grip)

Cable drawing

(1) Keyboard

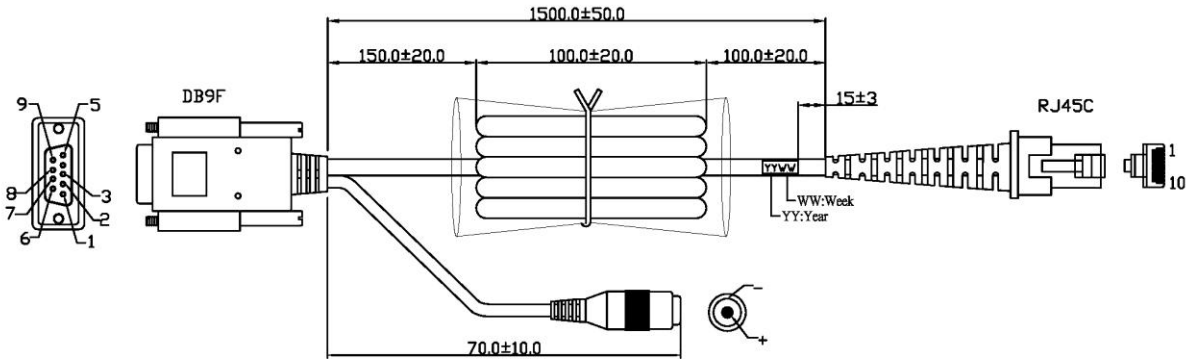
UNIT:mm



MD 6F	MD 6M	RJ45C	FUNCTION	COLOR
2	1		HOST DATA	Green
3	3	3	GND	Brown
4	5		HOST CLK	Blue
5	4	4	VCC	Red
6		5	KB CLK	Orange
8		1	KB DATA	Yellow
Spiral	Shell	Shell	SHELDING	

(2) RS232

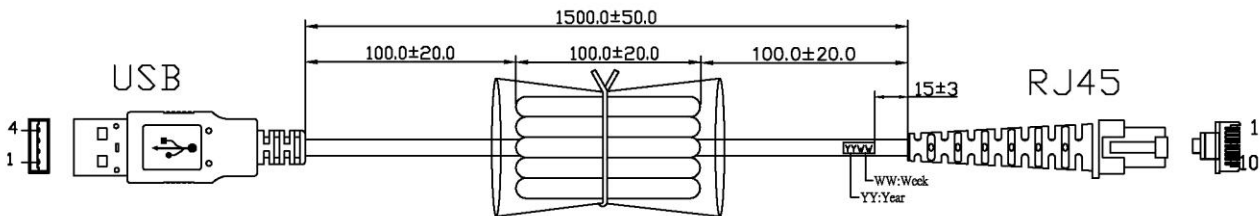
UNIT:mm



DB9F	RJ45C	DC JACK	FUNCTION	COLOR
5	3	Shell	GND	Brown
9	5	CORE	DC +5V	Red
2	7		TXD	Orange
3	9		RXD	Yellow
8	1		RTS	Green
7	10		CTS	Blue
Shell			Spiral	

(3) USB

UNIT:mm



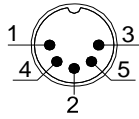
USB	RJ45	FUNCTION	COLOR
1	5	VCC	Red
2	4	D-	Blue
3	2	D+	Green
4	3	GND	Brown
Shell	3	SHIELDING	

Pin Assignment

(1) Keyboard Interface

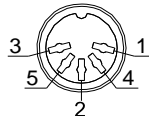
DIN 5 MALE

Pin No.	Function
1	HOST CLK
2	HOST DATA
4	GND
5	Vcc(+5V)



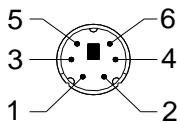
DIN 5 FEMALE

Pin No.	Function
1	KB CLK
2	KB DATA
4	GND
5	Vcc(+5V)



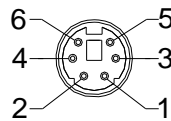
MiniDIN 6 MALE

Pin No.	Function
1	HOST DATA
3	GND
4	Vcc(+5V)
5	HOST CLK



MiniDIN 6 FEMALE

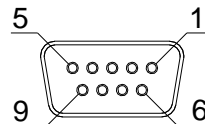
Pin No.	Function
1	KB DATA
3	GND
4	Vcc(+5V)
5	KB CLK



(2) RS-232 Interface

DB 9 Female

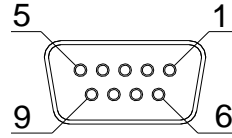
Pin No.	Function
2	TXD
3	RXD
5	GND
7	CTS
8	RTS
9	Vcc/+5V
Power Lead	Vcc/+5V



(3) WAND Emulation Interface

DB 9 Female

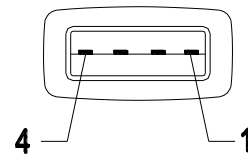
Pin No.	Function
2	DATA
7	GND
9	Vcc



(4) USB Interface

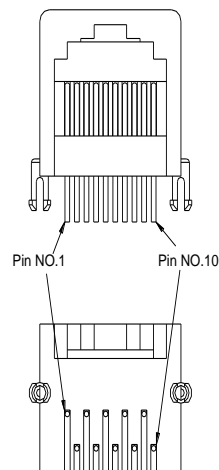
USB A Type Male

Pin No.	Function
1	Vcc
2	D-
3	D+
4	GND

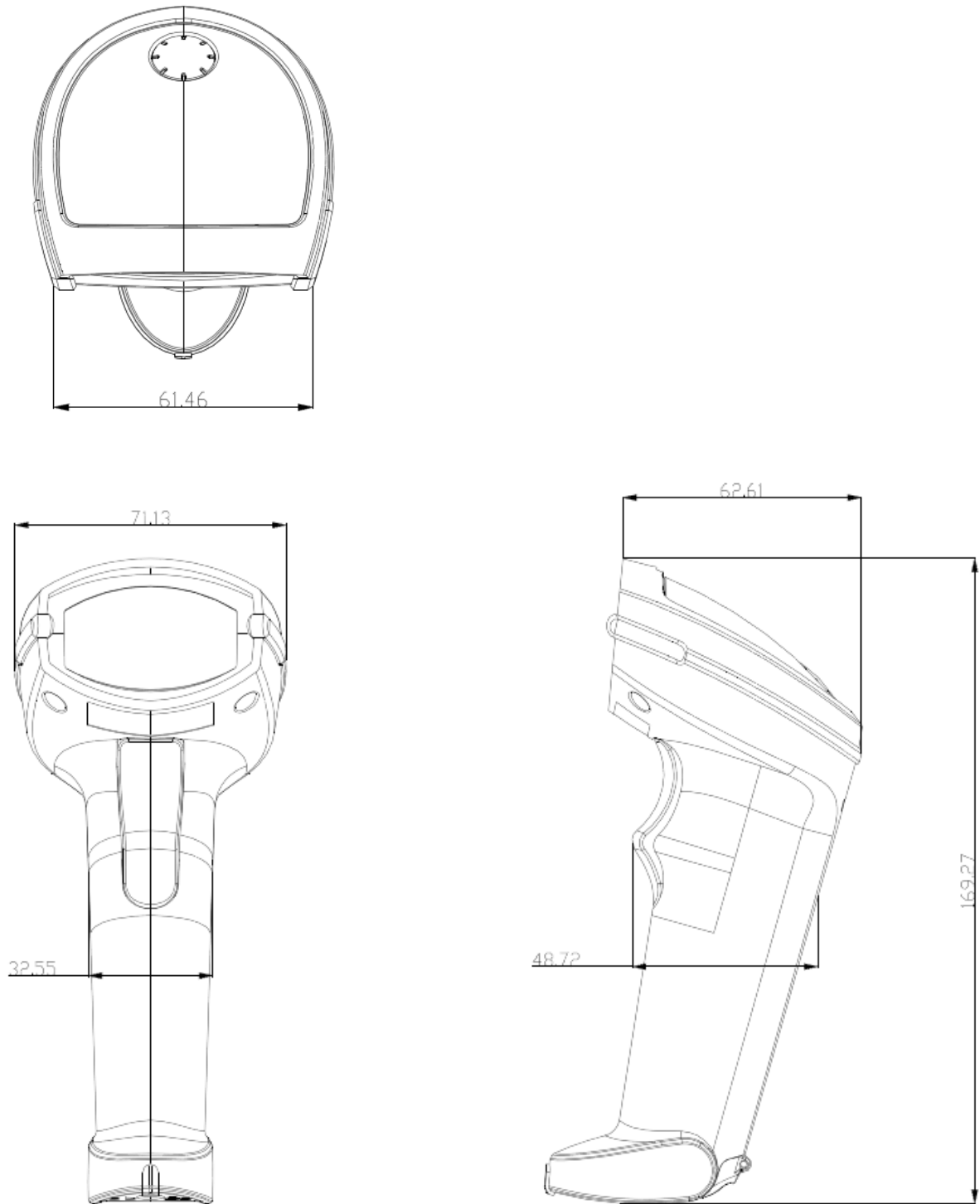


Decoder Data Output

Type	RJ45 10P
Pin No.	Function
1	RTS
2	HOSTDATA
3	GND
4	HOST CLK
5	Vcc (+5V)
6	KB CLK
7	TXD
8	KB DATA
9	RXD
10	CTS



Scanner Dimension



C. Electrical Characteristics

Interface	RS232	KB	USB
Supply Voltage	DC +5V ±5%		
Output Voltage (Typ.)	±9V	+5V	+5V
Output low Voltage (Max.)	-	0.7V	0.4V
Current Draw			
Power On (Typ.)	250 mA	250 mA	250 mA
Stand by (Typ.)	100 mA	100 mA	100 mA
Operation (Typ.)	250 mA	250 mA	250 mA

D. Performance

Light Source	Visible Laser Diode 650±10 nm
Scan Rate	50 scans per second ± 5%
Reading Distance	Up to 300mm@20mil/0.5mm, PCS90%, Code39
Print Contrast Ratio	30%
Resolution	5mil/0.127mm@PCS90%, Code39
Reading Angle	<i>Test Conditions : Code 39, 10mil/0.25mm, PCS 90%</i>
Forward / Backward	45° / 60°(±5°)
Left & Right	± 10°(±5°)
Ambient Light	5000 Lux Max.(Direct sun light)
Indicator	Beep and LED (Good read Green)
Sealing	Designed to IP42 water and dust protection

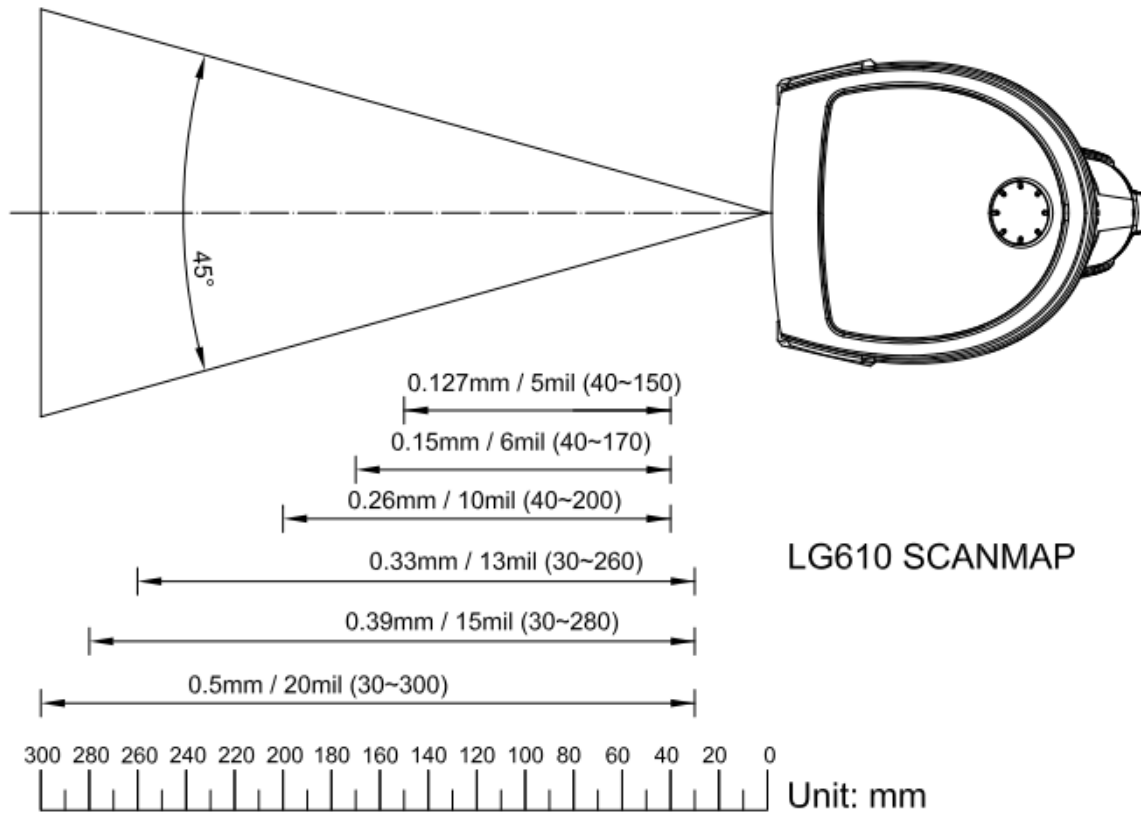
E. Environmental

Operating Temperature	0 °C to 50 °C (32 °F to 122 °F)
Storage Temperature	-20 °C to 70 °C (-4 °F to 158 °F)
Relative Humidity	20% to 95% (Non-condensing)

F. Readable Symbologies

	Readable	Default Enable
All UPC/EAN/JAN	V	V
EAN128 Code	V	
Code 39	V	V
Code 39 Full ASCII	V	
Code32 / Italian Pharmacy	V	
Code 128	V	V
CODABAR/NW7	V	V
Interleave 25	V	V
Industrial 25	V	
Matrix 25	V	
MSI/PLESSEY	V	
Telepen	V	
Code 93	V	
Code 11	V	
China Postage	V	
Code 26	V	
LCD25	V	
GS1 DataBar Omnidirectional & Stacked	V	
GS1 DataBar Limited	V	
GS1 DataBar Expanded & Stacked	V	

G. Scan Map



LG610 SCANMAP

H. Reliability

Life Time

Trigger Switch	1,000,000 times
MTBF(Calculated)	40,000 hours

Thermal Shock

High Temp.	50 °C (140 °F)
Low Temp.	-20 °C (-4 °F)
Cycle time	30 minutes for high temp. , 30 minutes for low temp.
Cycles	24 cycles

Cable Bending Test

25,000 times minimum (30 times/min @ 500g/90 °)

Drop

59.05 inches (150cm) drop on concrete surface

I. Packing

Dimension

Unit	24 cm X 10.9 cm X 8.6 cm
Carton	57 cm X 37.5 cm X 26.5 cm

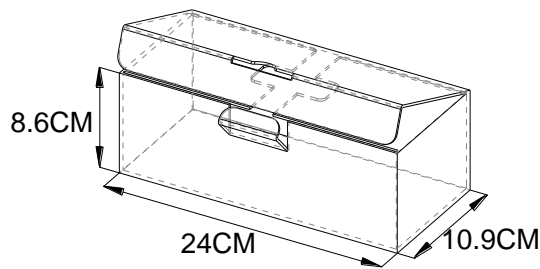
Weight

Unit	345 g
Carton	8 Kg (Q'ty :20 pcs)

Storage

Temperature	-20 °C to 60 °C (-4 °F to 140 °F)
Humidity	20% to 95% (Non-condensing)

Unit :



Carton:

