



SLIM S-9080i

Foldable Desktop 2D Barcode Scanner

SCANTECH ID[®]
CHAMPTEK Group

Introduction

The SLIM series is a **foldable, slim** shape, omni-directional presentation or face-up scanning barcode scanner engineered to decode all standard 1D and 2D barcodes. Its revolutionary imaging technology is housed as in an elegant, stylish, yet durable design. Its ultra-thin, large-angle folding design makes it the ideal solution for space-constrained environments.

With the SLIM S-9080i, you get the versatility to scan any 1D or 2D bar code — from the printed labels in retail that identify product or mobile bar codes on the screen of a mobile phone, and pricing at the register to mobile coupons, mobile gift and loyalty cards, boarding passes and even theater tickets. The SLIM provides all the features you need to keep your workers productive; intuitive and fast reading performance; true point-and-shoot scanning simplicity — no need to align bar code and scanner.

You can fold it to any scanning angle as a presentation scanner, even set it as face-up scan to accommodate to your application.

Features

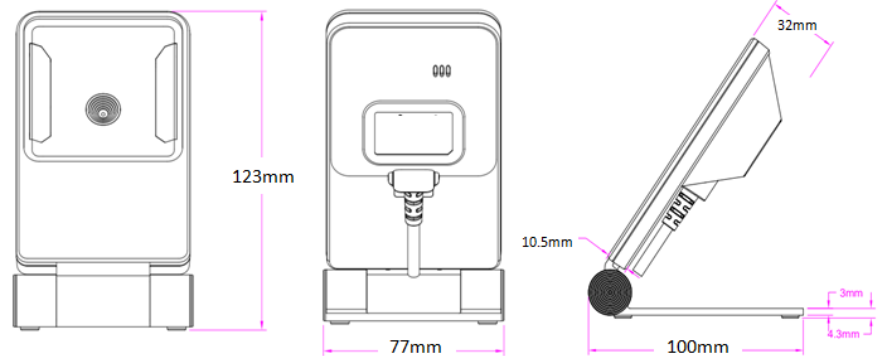
- Scan most 1D and 2D bar codes on paper, mobile phones displays.
- With the SLIM shape and small foot-print design can fit in the most space constrained areas.
- Scanner head can be forward and backward folded in a total 300° range to accommodate to your application.
- Lightweight and ergonomic design, best cost-effective investment.



SLIM S-9080i

Barcode	Depth of field
5mil EAN13/Code128	50 ~ 120 mm
13mil EAN13	50 ~ 230 mm
5mil PDF417	40 ~ 100 mm
10mil PDF417	30 ~ 200 mm
15mil PDF417	30 ~ 260 mm
20mil Data Matrix	20 ~ 110 mm
10mil QR Code	50 ~ 110 mm
20mil QR Code	50 ~ 170 mm

Unit: mm



Note : the test is under ambient light 500~600 Lux.

Specifications

Physical Characteristics

Weight	
Body Weight	Approx. 254g (with cable)
Material	ABS Plastic
Dimension (WxDxH)	77 x 100 x 123 mm
Color Available	White

Performance

Light source	White Light LED
View of filed	Horizontal – 38°, Vertical – 30°
Resolution	640 (H) x 480 (V) pixels 1D: 4.0 mil/0.1mm , 2D: 6.67mil/0.17mm
Scan speed	120 scans per second
Pitch	±60°(from front to back)
Skew	±60°(from plane parallel to symbol(side- to-side))
Roll	360°
Indicators	Beep
Print Contrast	> 20%

Electrical Characteristics

Interface	RS232	USB
Supply Voltage	DC Adaptor +5V ±5%	USB Power
Stand-by (Typ.)	<210 mA	<210mA
Operation (Typ.)	<280 mA	<280 mA

Environmental

Operating Temp.	-20°C to 40°C (-4°F to 104°F)
Storage Temp.	-40°C to 70°C (-40°F to 158°F)
Relative Humidity	5% to 95% (Non-condensing)
Ambient light	100,000 Lux Max. (Sunlight)
Sealing protection	IP52

Reliability

Life Time	
MTBF(Calculated)	50,000 hours
Temp. Test	
High Temp.	70°C , 48 hours
Low Temp.	-20°C , 48 hours
Cable Bending Test	25,000 times minimum (30 times/min @ 500g/90°)
Drop Resistance	47.24 inches(120cm) drop on concrete surface

Readable Symbolologies

1D Symbolologies

UPC-A, UPC-E, EAN-8/JAN-8, EAN-13/JAN-13, ISSN, UCC/EAN-128 , Code 39, Code 39 Full ASCII, Code 128, Interleaved 25, Industrial 25, Matrix 25, Codabar/NW7, Code 93, Code11, China Post, MSI, Telepen, GS1 Databar Omni-directional, GS1 Databar Limited, GS1 Databar Expanded

2D Symbolologies

Aztec, Data Matrix, MaxiCode, QRCode, PDF417, Micro PDF, HANXIN, MicroQR Code

Due to Champtek/Scantech ID's continuing product improvement programs, specifications and features are subject to change.