

SPECIFICATION

Customer : _____

Customer's Model No. : _____

Model No. : **FI340**

Fixed Mount Area Imager Barcode Scanner

Date : _____

Sample Serial No. : _____

Version & Revision Date: V01 2020.01.17

Received/Approved by

CHAMPTEK[®]

ChampTek Incorporated

1F, No. 4, Alley 2, Shih-Wei Lane, Chung Cheng Rd.,
Xindian Dist., New Taipei City 231, Taiwan.

Web : <http://www.champtek.com>

Tel : 886-2-22192385

E-mail : sales@champtek.com

Fax : 886-2-22192387

Revision History

Version	Date	Context
V00	2019.07.12	Golden release
V01	2020.01.17	Updates Specification and Symbologies

TABLE OF CONTENTS

A. General Description	1
B. Physical Characteristics	2
C. Electrical Characteristics.....	4
D. Performance	4
E. Environmental.....	4
F. Readable Symbologies.....	5
G. Pin Assignment	6
H. Scan Map.....	7
I. Reliability.....	7

A. General Description

The FI340 is a high performance, omni-directional area imager bar code scanner. It uses digital imaging technology to provide intuitive and fast reading of 1D and 2D bar codes as well as supporting more advanced features like image capture deactivation. It is designed for various built-in and OEM solutions, such as self-service kiosks, POS (Point-of-Sales) terminals, ATM, price checkers, healthcare and Mobile device solutions etc.

It supports up to 280mm reading depth of 1D and 2D barcode, its scan rate is up to 60 images per second. A stand option can be ordered to facilitate hand-free reading in a tiny footprint that fits in the most space-constrained areas.

FI340 is a high performance area imager scanner, provides customers with the most cost-effective solution in the market and perfectly suitable and definitely the best choice for any OEM and built-in application



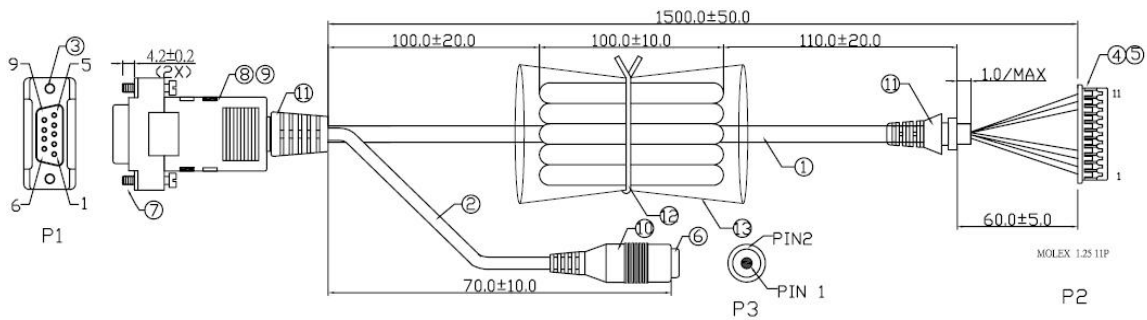
B. Physical Characteristics

Weight	
Body weight	Approx. 3 oz (85 g)
Cable weight(USB)	Approx. 4.24 oz (120 g)
Material	
Cable Length	5FT. (150cm)
Dimension	
Interface	RS-232, USB (Virtual COM)

1) Cable drawing

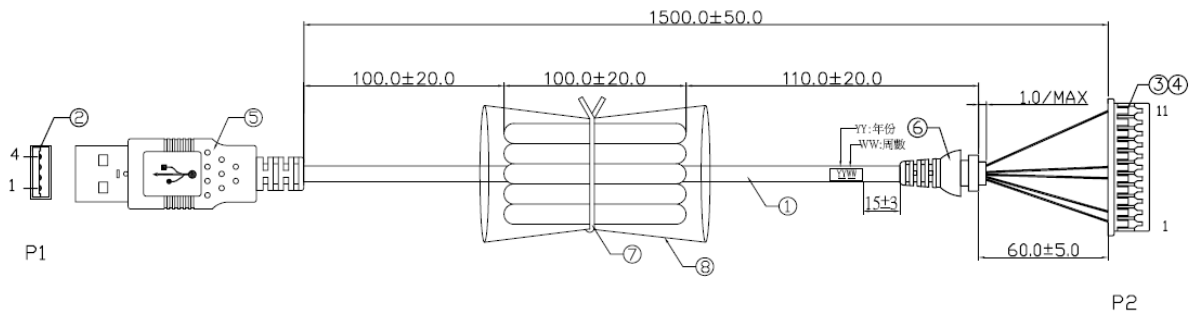
Unit : mm

(1)RS232



Pin Item					Description
P1	Color	P2	Color	P3	
9	Red	2	Red	1	VCC, +5V
3	Yellow	4			RXD
2	Orange	3			TXD
5	Brown	1	Brown	2	GND
8	Green	9			RTS
7	Blue	10			CTS
steel casing	wire-winding	11			SHIELDING

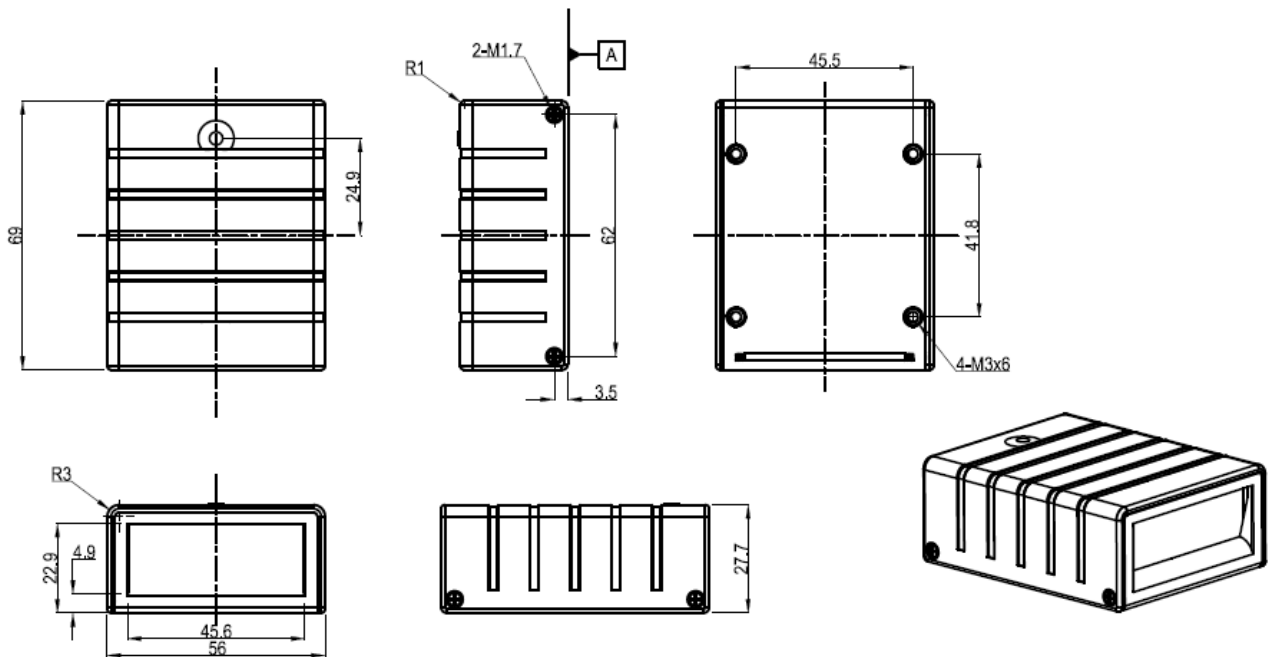
(2) USB(Virtual COM port)



Pin Item			Description
P1	Color	P2	
1	Red	2	VCC
2	Blue	6	D-
3	Green	5	D+
4	Brown	1	GND
steel casing	wire-winding	11	SHIELDING

2) Mechanical drawing

Unit : mm



C. Electrical Characteristics

Interface	RS232	USB-HID (or Virtual COM port)
	DC Adaptor	USB Power
Supply Voltage	DC +5V±5%	
Current Draw		±10%
Stand by (Typ.)	40 mA	40 mA
Operation (Typ.)	380 mA	380 mA

D. Performance

Light source	White Light LED
Scan rate	60 fps
Resolution	1280 (H) x 800 (V) pixels
Scan angle	55° Horizontal, 35° Vertical
Print Contrast Ratio	30%
Resolution	3mil/0.076mm@PCS90% Code39, 8mil/0.2mm@PCS90% QRCode

E. Environmental

Operating Temperature	0 °C to 50 °C (32 °F to 122 °F)
Storage Temperature	-20 °C to 70 °C (-4 °F to 158 °F)
Relative Humidity	20% to 95% (Non-condensing)
Ambient light	Works in any lighting conditions from 0 to 100,000 lux

F. Readable Symbologies

1D Symbologies	Readable	Default Enable
All UPC/EAN/JAN	V	V
EAN128 Code	V	
Code 39	V	V
Code 39 Full ASCII	V	
Code32 / Italian Pharmacy	V	
Code 128	V	V
Interleave 25	V	
Code 93	V	V

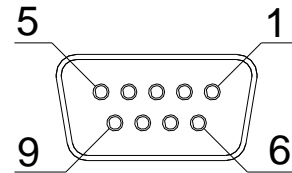
2D Symbologies	Readable	Default Enable
Data Matrix	V	V
PDF 417	V	V
Micro PDF 417	V	V
QR code	V	V
Micro QR code	V	V
Aztec	V	V
MaxiCode	V	
Han Xin Code	V	

G. Pin Assignment

(a)RS232 Interface

DB 9 Female

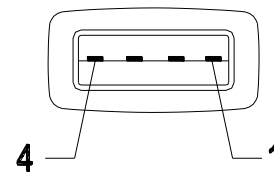
Pin No.	Function
2	TXD
3	RXD
5	GND
7	CTS
8	RTS
9	Vcc/+5V
Power Lead	Vcc/+5V



(b)USB Interface

USB A Type Male

Pin No.	Function
1	Vcc
2	D-
3	D+
4	GND



H. Scan Map

Barcode	Depth of field
3mil Code39	50~90 mm
4mil Code39	45~100 mm
5mil Code39	40~120 mm
6mil Code39	30~140 mm
10mil Code39	30~220 mm
13mil Code39	30~230 mm
20mil Code39	30~280 mm
20mil QR Code	30~210 mm
20mil PDF417	30~120 mm
20mil Data Matrix	30~220 mm

I. Reliability

Life Time

MTBF(Calculated) 50,000 hours

Thermal Shock

High Temp. 60 °C (140 °F)

Low Temp. -20 °C (-4 °F)

Mechanical Shock 2000 G, 0.7 ms, half sinus, 3 axes

Vibration 8 G r.m.s., from 10 to 500 Hz, 2 hours per axis, 3 axes