



CHAMPTEK[®]
We value your ID's

IG380

Imager Barcode Scanner

Introduction

The IG380 area imager barcode scanner brings unmatched performance along with the latest advanced technology to the point-of-sale checkout operations, and it is a reliable bar code reader suitable for a wide range of environments. The IG380's features and its outstanding price-performance ratio make it the best solution for retail and POS applications.

The IG380 provides a 'black' or 'warm gray' color option, emphasizing the curving lines of the new enclosure and supports keyboard wedge, RS232 and USB interface. The powerful built-in decoder reads and discriminates all major 1D, 2D bar codes and GS1 DataBar™ symbologies, including damaged or poorly printed codes, reducing processing time and labor costs, while increasing accuracy.

Its barcode programming menu provides extensive configuration options. A stand option can be ordered to facilitate hand-free reading option and by configured to its automatically wake-up reading mode can extend its lifespan.

The IG380 provides customers with the most cost-effective solution in the market and is the best choice for any retail environment.

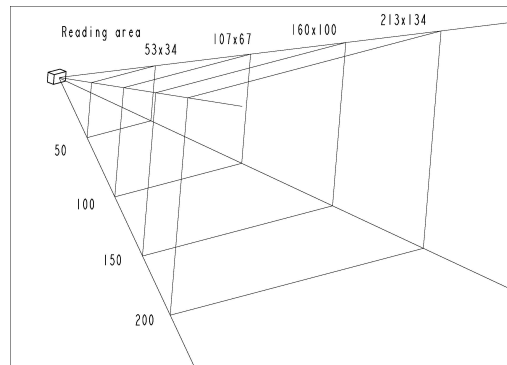
Features

- Excellent Reading Performance for major 1D and 2D bar codes, e.g. of QR codes, even with 30% damage or one finder pattern missing.
- The best price-performance ratio solution in the market for retail and POS applications.
- Support multiple Interface options, USB HID, Virtual COM and RS-232.
- Facilitates both contact and air 16KV Electrostatic discharge.
- A stand option can be ordered to facilitate hand-free reading options.
- A vibration mode when scanning is optionally available.
- Applicable on Android tablet or smart phone with optional cable.

IG380

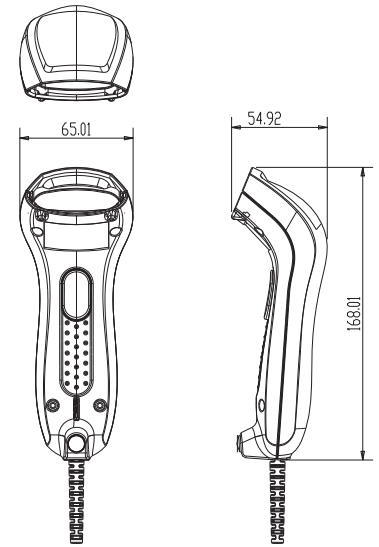
Depth of field

Barcode	Depth of field
3mil Code39	40 ~ 90 mm
4mil Code39	35 ~ 95 mm
5mil Code39	30 ~ 110 mm
6mil Code39	30 ~ 140 mm
10mil Code39	30 ~ 160 mm
13mil Code39	30 ~ 180 mm
20mil Code39	30 ~ 250 mm
20mil QR Code	30 ~ 160 mm
20mil PDF417	30 ~ 110 mm
20mil Data Matrix	30 ~ 160 mm



Note:

1. The test is under ambient light 700 ~ 800 Lux.
2. Reading area



Mechanical Drawing

Unit: mm

Specifications

Physical Characteristics

Weight	
Body weight	Approx. 90 g
Cable weight	Approx. 60 g
Material	
	ABS
Dimension	
	65.01 mm W x 168.01 mm D x 54.92 mm H

Electrical Characteristics

Interface	RS232	USB
Supply Voltage		
Output Voltage (Typ.)	±9V	+5V±5%
Output low Voltage (Max.)		0.7V
Current Draw		
Stand by (Typ.)	40mA	35mA
Operation (Typ.)	380 mA	335 mA

Performance

Light Source	White light LED
Sensor	1280(H) x 800 (V) pixels
Field of view	Horizontal -55°, Vertical - 35°
Scan Rate	60 fps (at full resolution)
Reading Distance	250mm@20mil/0.5mm, PCS90%
Print Contrast Ratio	PCS30%@5mil/0.127mm
Resolution	3mil/0.076mm@PCS90% Code39, 8mil/0.2mm@PCS90% QRCode
Reading Angle	Test Conditions : Code 39, 10mil/0.25mm, PCS90%
Pitch Angle	5°~60° (±5°)
Skew Tolerance	5°~60° (±5°)
Ambient Light	100,000 Lux Max.

Environmental

Operating Temperature	0 °C to 50 °C (32 °F to 122 °F)
Storage Temperature	-20 °C to 70 °C (-4 °F to 158 °F)
Relative Humidity	20% to 95% (Non-condensing)

Reliability

Life Time	
Trigger Switch	1,000,000 times @1kg ±50g cycles
MTBF(Calculated)	50,000 hours
Thermal Shock	
High Temp.	60 °C (140 °F)
Low Temp.	-20 °C (-4 °F)
Cycle time	30 minutes for high temp. , 30 minutes for low temp.
Cycles	24 cycles
Cable Bending Test	25,000 times minimum (30 times/min @ 200g/90°)
Drop Resistance	59.05 inches (150cm) drop on concrete surface
Electro-Static Discharge	Both contact and air at up to 16KV

Readable Symbolologies

1D Symbolologies

UPC-A, UPC-E, EAN-8/JAN-8, EAN-13/JAN-13, Code 39, Code 128, Interleaved 25, Industrial 25, Matrix 25, Codabar/NW7, Code 93, China Post, MSI/Plessey, Telepen, GS1 Databar Omni-directional, GS1 Databar Limited, GS1 Databar Expanded

2D Symbolologies

Data Matrix, PDF 417, QR Code

Option:

Aztec, Micro PDF 417, Micro QR Code, Han Xin Code, GM Code

Due to Champtek's/Scantech ID's continuing product improvement programs, specifications and features are subject to change.