

MIR7S

An Embedded 2D Scan Module

CHAMPTEK[®]
We value your ID's

Introduction

MIR7S is designed as a 2D embedded scan module for devices like kiosk, ticket gate, or self-service machines...etc. Its excellent barcode scan performance supports not only barcodes displayed on smart phones, but also for barcodes printed on paper. With its wide field of view 86° (H) 70° (V), barcodes on the large-screen can also be easily handled without any distance or angle adjustment.

With 4 M2 screw holes on the back cover, both desktop and wall-mounted are supported.

Features

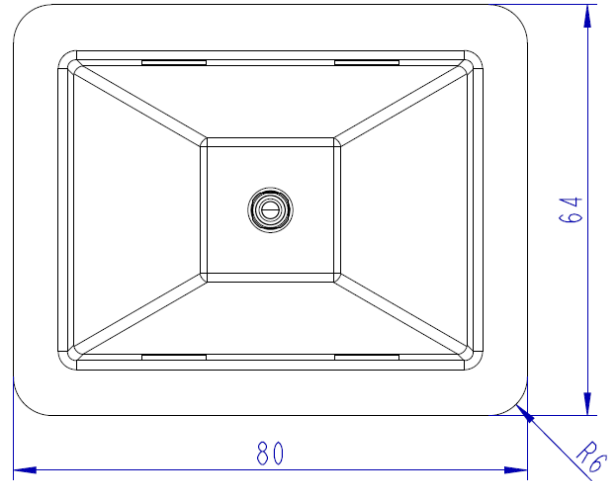
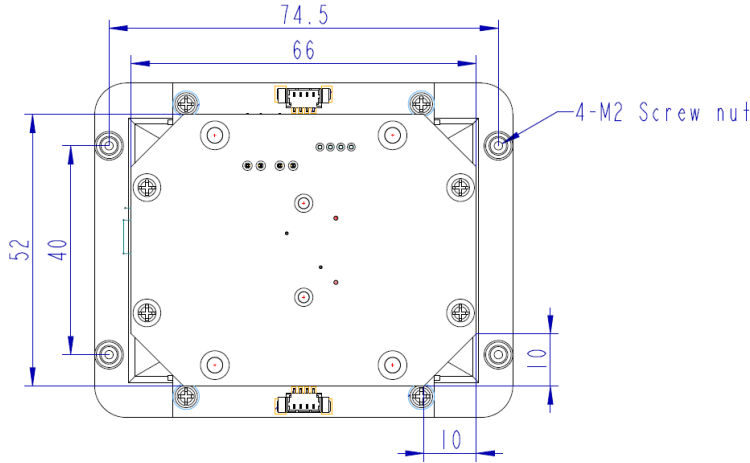
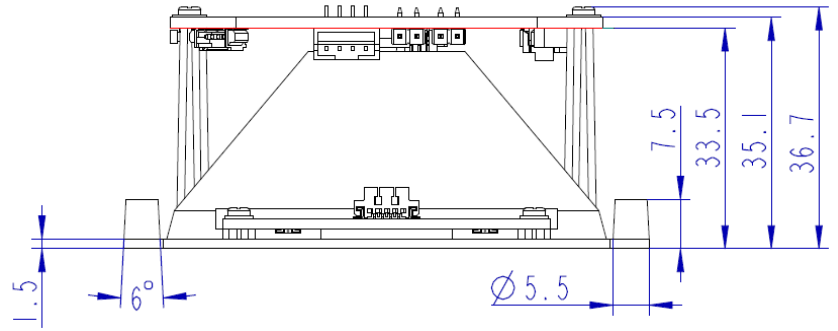
- Omni-directional reading and 1D / 2D Imager capture capability.
- Widest field of view in its class
- Plug & Play with Interface options: USB HID, USB virtual comport & RS232.
- Integrated good-read beeper.
- A SDK serial protocol supports second development.
- Ideal for most of the e-payment, e-ticket, e-coupon and e-membership card barcodes on smart phones.
- Support Windows, Linux or Android OS
- Plug & Play, after power-on, just scan barcodes directly, the result will be sent to your host computer automatically.

MIR7S

Barcode	Resolution	Depth of field
CODE 39	5 mil	0~15 mm
CODE 39	10 mil	0~25 mm
CODE 128	10 mil	0~25 mm
QR CODE	20 mil	0~30 mm

Note: the test is under ambient light 700~800 LUX.

The depth of field is measured from the glass surface.



Mechanical Drawing
Unit: mm

Specifications

Physical Characteristics

Weight	
Body Weight	Approx.100g
Material	ABS Plastic
Dimension (WxDxH)	80(W)×64(D)×36.7(H)
Color Available	mm Black

Performance

Light source	Visible White LED
Field of View	Horizontal – 86°, Vertical – 70°
Image Sensor	CMOS 1280 (H) x 800 (V) pixels
Frame Rate	60 frames per second
Pitch	±60°
Skew	±60°
Roll	360°
Indicators	Beeper

Electrical Characteristics

Interface	RS232	USB
Supply Voltage	DC Adaptor +5V ±5%	USB Power
Power Consumption	1.75W	1.75W
Operation (Typ.)	350 mA	350 mA

Environmental

Operating Temp.	-20°C to 55°C (-4°F to 131°F)
Storage Temp.	-40°C to 70°C (-40°F to 158°F)
Relative Humidity	5 % to 95% (Non-condensing)
Ambient light	100,000 Lux Max. (Natural light)

Reliability

Life Time	
MTBF(Calculated)	50,000 hours
Temp. Test	
High Temp.	70°C , 48 hours
Low Temp.	-20°C , 48 hours
Cable Bending Test	25,000 times minimum (30 times/min @ 500g/90°)

Readable Symbologies

1D Symbologies

UPC-A, UPC-E, EAN-8/JAN-8, EAN-13/JAN-13, Code 39, Code 128, Interleaved 25, Industrial 25, Matrix 25, Codabar/NW7, Code 93, China Post, MSI/Plessey, Telepen, GS1 Databar Omni-directional, GS1 Databar Limited, GS1 Databar Expanded

2D Symbologies

Data Matrix, PDF 417, QR Code ,Micro PDF 417, Micro QR Code, Aztec and Dotcode

Due to Champtek/Scantech ID's continuing product improvement programs, specifications and features are subject to change.