



# MICA M-9084i

## Area Imager Barcode Scanner

SCANTECH ID<sup>®</sup>  
CHAMPTTEK Group

### Introduction

The MICA M-9084i is a high performance, omni-directional area imager bar code scanner. It uses digital imaging technology to provide intuitive and fast reading of 1D and 2D bar codes. It supports up to 200mm reading depth of 1D and 2D barcode, its scan rate is up to 60 images per second in 2D area mode.

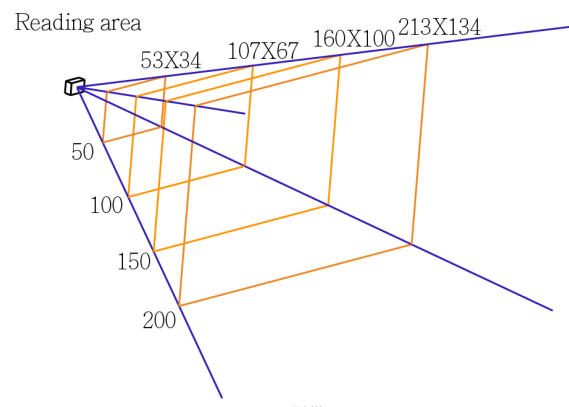
MICA M-9084i is a high performance area imager scanner, provides customers with the most cost-effective solution in the market, it is designed for various built-in and OEM solutions, such as self-service kiosks, POS (Point-of-Sales) terminals, price checkers solutions etc. Besides, a stand option can be ordered to facilitate on-counter reading options.

### Features

- Optimized design for built-in and OEM applications.
- Reading all common 1D and 2D barcodes, include GS1 DataBar codes.
- Scan rate per second is up to 60 images in 2D area mode.
- Supports up to 200mm reading depth of 1D and 2D barcode.
- A stand option can be ordered to facilitate on-counter reading options.

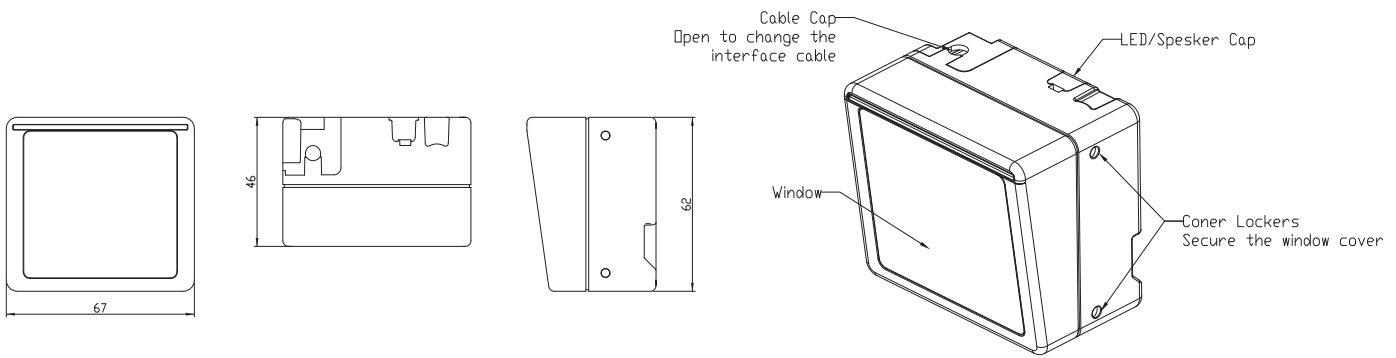
### Reading Range

Barcode	Depth of field
3mil Code39	50~80 mm
4mil Code39	40~100 mm
5mil Code39	30~110 mm
6mil Code39	30~120 mm
10mil Code39	30~150 mm
13mil Code39	30~180 mm
20mil Code39	30~200 mm
20mil QR Code	30~150 mm
20mil PDF417	30~120 mm
20mil Data Matrix	30~150 mm



Note: The test is under ambient light 700 ~ 800 Lux.

# MICA M-9084i



## Specifications

### Physical Characteristics

Body Weight	Approx. 120g
Dimension	Scanner: 67.00mm(W) x 62.00mm(H) x 46.00mm(L)
Cable Length	USB (150cm); RS232 (200cm)
Material	PC + ABS
Connector	RJ48

### Performance

Light Source	White light LED
Sensor	1280 (H) x 800 (V) pixels
Field of view	Horizontal – 55°, Vertical – 35°
Scan Rate	60 fps (at full resolution)
Reading Distance	280mm@20mil/0.5mm, PCS90%
Print Contrast Ratio	PCS30%@5mil/0.127mm
Resolution	3mil/0.076mm@PCS90% Code39, 8mil/0.2mm@PCS90% QRCode
Reading Angle	Test Conditions : Code 39, 10mil/0.25mm,PCS90%
Pitch Angle	±5°~60°
Skew Angle	±5°~60°
Ambient Light	100,000 Lux Max.

### Electrical Characteristics

Interface	RS232	USB(HID KBW)	USB(Virtual Com.)
Supply Voltage	DC Adaptor DC+5V 5%	USB Power	USB Power
Stand by (Typ.)	240 mA	240 mA	240 mA
Operation (Typ.)	310 mA	310 mA	310 mA

### Environmental

Operating Temp.	0°C to 50°C (32°F to 122°F)
Storage Temp.	-20°C to 70°C (-4°F to 158°F)
Relative Humidity	20% to 95% (Non-condensing)
Ambient Light	100,000 Lux Max. (Sunlight)

### Reliability

Life Time	
MTBF (Calculated)	50,000 hours
Cable Bending Test	25,000 times minimum (30 times/min @ 500g/90°)
Drop	47.24 inches (120cm) drop on concrete surface

### Readable Symbolologies

#### 1D Symbolologies

UPC-A, UPC-E, EAN-8/JAN-8, EAN-13/JAN-13, ISSN, UCC Coupon Extended Code, Code 39, Code 39 Full ASCII, Code 128, Interleaved 25, Industrial 25, Matrix 25, Codabar/NW7, Code 93, China Post, MSI/Plessey, Telepen, GS1 Databar Omni-directional, GS1 Databar Limited, GS1 Databar Expanded

#### Postal Code

Postal 4-state codes, include USPS Intelligent Mail, USPS POSTNET and PLANET, Royal Mail Customer, Australia Post, Japan Post and KIX codes

#### 2D Symbolologies

QR code, MicroQR, Data Matrix, Aztec, PDF417, MicroPDF417, Maxicode and Dotcode

CE, FCC and RoHs compliant

Due to Champtek's / Scantech ID's continuing product improvement programs, specifications and features are subject to change without notice.