



MIR4W

High Performance Cost-Effective Area Barcode Scanning Module

CHAMPTEK[®]
We value your ID's

Introduction

The MIR4W module is a high performance, omni-directional area imager barcode scanner. It delivers the same high-quality when your products need to capture 1D and 2D bar codes. Its good ability to read bar codes that are printed on paper labels or displayed on the screen of a mobile phone or computer; and the rapid scanning speed that protects worker productivity and the customer experience.

With the MIR4W, you can create products that will make a difference for your customers – and their customers. It is designed for various built-in and OEM solutions, such as self-service kiosks, POS(Point-of-Sales) terminals, ATM, price checkers, healthcare and mobile device solutions, etc.

Numerous features make it easy to integrate the MIR4W in customer's application, you can keep imager on decoder board with two mounting areas options to mount it on customer's equipment, or have the imager stand alone to connect with decoder board by a FPC cable. With a multitude of software configuration through IdeaSet utility, you can easily optimize the performance of the MIR4W for your application.

MIR4W module is a high performance area imager scanner, provides customers with the most cost-effective solution in the market and is perfectly suitable and definitely the best choice for any OEM and built-in application.

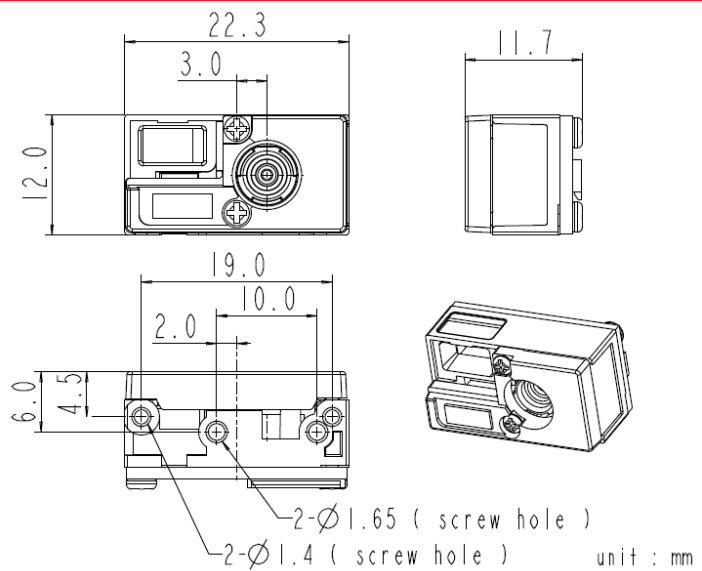
Features

- Omni-directional scan pattern, no need to align barcode and scanner, ensuring user comfort and protecting worker productivity.
- Easily integrated with various OEM application while 1D and 2D barcode scanning.
- Focused red-coloured bar aimer for accurate aiming and first time barcode capture.
- Flexible mounting options, either mounting on external or inner screw holes.
- With a multitude of software configuration options, you can easily optimize your application.

MIR4W

Reading Range

| Barcode mil | Depth of field |
|--------------|----------------|
| 3mil Code39 | 60~100 mm |
| 4mil Code39 | 55~110 mm |
| 10mil Code39 | 50~220 mm |
| 20mil Code39 | 50~300 mm |
| 20mil QRCode | 50~200 mm |
| 20mil PDF417 | 50~120 mm |



Specifications

Physical Characteristics

Weight

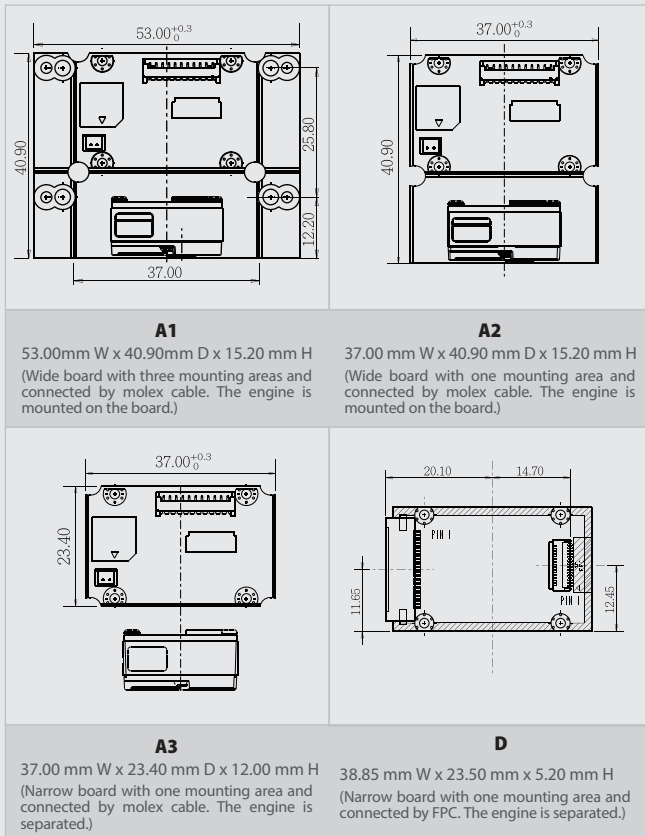
Body weight Approx. 0.098 oz (2.8g)

USB Cable weight Approx. 2.1 oz (34.6g)

RS232 Cable weight Approx. 1.74 oz (49.6g)

Material Polycarbonate

Dimension



Electrical Characteristics

| | | |
|------------------|------------|------------------------------|
| Interface | RS232 | USB-HID(or Virtual COM port) |
| | DC Adaptor | USB Power |
| Supply Voltage | DC+5V±5% | DC+5V±5% |
| Current Draw | ±10% | ±10% |
| Stand by (Typ.) | 40mA | 40mA |
| Operation (Typ.) | 380mA | 380mA |

Environmental

Operating Temp. 0°C to 50°C (32°F to 122°F)

Storage Temp. -20°C to 70°C (-4°F to 158°F)

Relative Humidity 20% to 95% (Non-condensing)

Ambient Light Works in any lighting conditions from 0 to 100,000 lux

Performance

Light Source White light LED

Scan Rate 60 images per second

Sensor Resolution 1280(H) x 800(V) pixels

Field of View Horizontal -55°, Vertical -35°

Pitch Angle 5°~60°(±5°)

Skew Tolerance 5°~60°(±5°)

Roll 360°

Indicator Good read beep

Reliability

Life Time

MTBF(Calculated) 50,000 hours

Thermal Shock

High Temp. 60°C (140°F)

Low Temp. -20°C (-4°F)

Cycle time 30 minutes for high temp.,
30 minutes for low temp.

Cycles 24 cycles

Mechanical Shock 2000G,0.7ms,half sinus,3axes'

Vibration 8G r.m.s,from 10 to 500Hz,2 hours per axis, 3 axes

Readable Symbologies

1D Symbologies

UPC-A,UPC-E,EAN-8/JAN-8,EAN-13/JAN-13,Code 39,Code 128, Interleaved 25,Industrial 25,Matrix 25,Codabar/NW7, Code 93,China Post,MSI/Plessey,Telepen,GS1 Databar Omni-directional, GS1 Databar Limited,GS1 Databar Expanded

2D Symbologies

Data Matrix,PDF 417,QR Code
Option :
Aztec,Micro PDF 417,Micro QR Code,Han Xin Code,GM Code

Due to Champtek's / Scantech ID's continuing product improvement programs, specifications and features are subject to change