



FI340

Fixed Mount Area Imager Barcode Scanner

CHAMPTEK[®]
We value your ID's

Introduction

The FI340 Fixed Mount Scanner Series is a high performance, omni-directional area imager barcode scanner, delivering fast, high-volume hands-free scanning of virtually any 1D and 2D barcode. No matter what type of barcode is presented, or whether it is printed on paper or displayed on a mobile phone screen, the FI340 Series provides fast, accurate scanning. It is designed for various built-in and OEM solutions, such as self-service kiosks, POS (Point-of-Sales) terminals, ATM and any application needs to build in a barcode reader with cases protection.

It supports up to 280mm reading depth of 1D and 2D barcode, and scan rate is up to 60 images per second. A stand option can be ordered to facilitate hand-free reading in a tiny footprint that fits in the most space-constrained areas.

FI340 is a high performance area imager scanner, provides customers with the most cost-effective solution in the market and perfectly suitable and definitely the best choice for any OEM and built-in application.

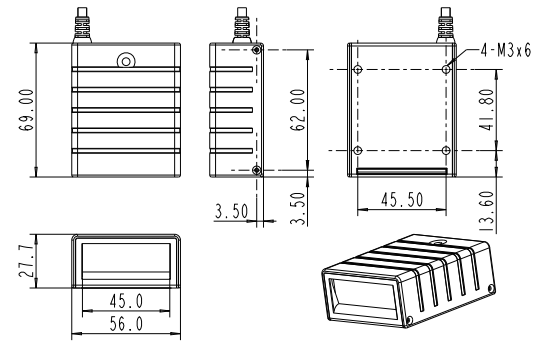
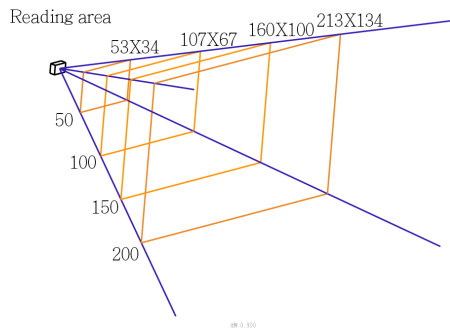
Features

- Captures barcodes on mobile phone, tablet, or computer screens.
- Easily integrated with various OEM applications with 1D and 2D barcode scanning.
- Support various configurable reading modes.
- Clear aiming bar that makes barcode capture easily.
- With an optional stand is flexible for other applications.

FI340

Reading Range

Barcode	Depth of field
3mil Code39	50~90 mm
4mil Code39	45~100 mm
5mil Code39	40~120 mm
6mil Code39	30~140 mm
10mil Code39	30~220 mm
13mil Code39	30~230 mm
20mil Code39	30~280 mm
20mil QR Code	30~210 mm
20mil PDF417	30~120 mm
20mil Data Matrix	30~220 mm



Note: The test is under ambient light 700 ~ 800 Lux.

Specifications

Physical Characteristics

Weight

Body weight Approx. 3 oz (85g)

USB Cable weight Approx. 1.79 oz (51g)

RS232 Cable weight Approx. 2.32 oz (66g)

Material Polycarbonate

Dimension 56 mm W x 69 mm D x 28 mm H

Electrical Characteristics

Interface RS232 USB-HID(or Virtual COM port)

DC Adaptor USB Power

Supply Voltage DC+5V±5% DC+5V±5%

Current Draw ±10% ±10%

Stand by (Typ.) 40mA 40mA

Operation (Typ.) 380mA 380mA

Performance

Light Source White light LED

Sensor 1280 (H) x 800 (V) pixels

Field of view Horizontal – 55°, Vertical – 35°

Scan Rate 60 fps (at full resolution)

Reading Distance 280mm@20mil/0.5mm, PCS90%

Print Contrast Ratio PCS30%@5mil/0.127mm

Resolution 3mil/0.076mm@PCS90% Code39,

8mil/0.2mm@PCS90% QRCode

Reading Angle Test Conditions : Code 39, 10mil/0.25mm,PCS90%

Pitch Angle ±5°~60°

Skew Angle ±5°~60°

Ambient Light 100,000 Lux Max.

Environmental

Operating Temperature 0 °C to 50 °C (32 °F to 122 °F)

Storage Temperature -20 °C to 70 °C (-4 °F to 158 °F)

Relative Humidity 20% to 95% (Non-condensing)

Reliability

Life Time

MTBF(Calculated) 50,000 hours

Thermal Shock

Low Temp. -20 °C (-4°F)

Cycle time 30 minutes for high temp.,
30 minutes for low temp.

Cycles 24 cycles

Mechanical Shock 2000G,0.7ms,half sinus,3axes'

Readable Symbolologies

1D Symbolologies

UPC-A,UPC-E,EAN-8/JAN-8,EAN-13/JAN-13,Code 39,Code 128, Interleaved 25,Industrial 25,Matrix 25,Codabar/NW7, Code 93,China Post,MSI/Plessey,Telepen,GS1 Databar Omni-directional,GS1 Databar Limited, GS1 Databar Expanded

2D Symbolologies

Data Matrix, PDF 417, QR Code, Aztec, Micro PDF 417, Micro QR Code, Dotcode
Option: Maxicode, Han Xin Code

Due to Champtek/Scantech ID's continuing product improvement programs, specifications and features are subject to change.