

SPECIFICATION

Customer : _____

Customer's Model No. : _____

Model No. : **LG710BT Wireless Laser Bar Code Scanner**

Date : _____

Sample Serial No. : _____

Spec. Version & Revision Date: V02 2015.05.03

Received/Approved by



[Http://www.champtek.com](http://www.champtek.com)

E-mail : sales@champtek.com

ChampTek Incorporated

5F, No. 2, Alley 2, Shih-Wei Lane, Chung Cheng Rd.,
Xindian District, New Taipei City 231, Taiwan

TEL : 886-2-22192385

FAX : 886-2-22192387

Revision History

Version	Date	Context
V00	2012.07.25	Initial release
V01	2012.09.03	Scanmap and Performance revised
V02	2015.05.03	32 bits Process and drop resistance

TABLE OF CONTENTS

A. General Description	4
B. Physical Characteristics	5
C. Electrical Characteristics	8
D. Performance	9
E. Radio Characteristics	9
F. Environmental.....	9
G. Readable Symbologies.....	10
H. Scan Map	11
I. Reliability.....	11

A. General Description



LG710BT is a rugged gun-type wireless laser bar code scanner which is designed specifically for retail, logistic and warehousing management market. Introducing new series models housing, we include friendly functions with the replaceable interface cable that makes it more easily to be operated by the customers to accommodate itself to user environment.

LG710BT has rugged casing with IP54 sealing protection, supports long range operation up to 300 mm. There are multiple interfaces available for selection, include RS232, Keyboard wedge and USB interfaces. For hand-free operation application, customers can easily configure by their own to facilitate it to be hand-free reading.

The scanner and cradle equip with Class1 Bluetooth V2.1 EDR technology with transmission range up to 100m / 328.08 ft. in line of open sight, supports both SPP and HID profiles can easily pair up with other Bluetooth V2.1 compatible mobile equipments or systems.

In short, LG710BT is a high performance rugged wireless laser bar code scanner, which provides the customer with the most cost-effective solution in the market. It is perfectly suitable and definitely the best choice for any retail and logistic environment.

B. Physical Characteristics

Weight

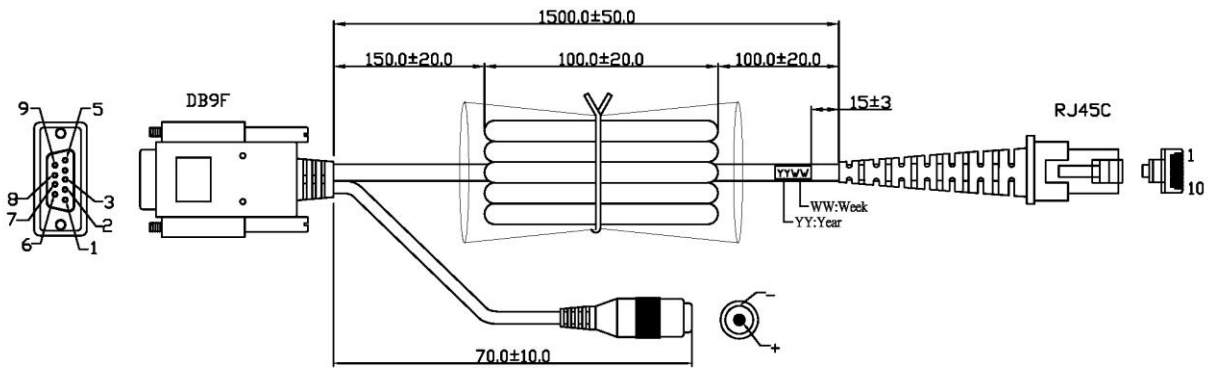
Scanner weight	Approx.	225.4g/ 7.96oz
Cradle weight	Approx.	147.4g/ 5.2oz
RS232 Cable weight	Approx.	100g/ 3.53oz
USB Cable weight	Approx.	70g/ 2.47oz
PS/2 Cable weight	Approx.	77g/ 2.71oz
AC adaptor weight	Approx.	109g/ 3.84oz

Dimension Scanner : 75 mm W x 71.73mm H x 177.96 mm L
 Cradle : 112.18 mm W x 84.64 mm H x 130.6 mm L

Color Available Black(Cap & Grip) / Black(Cap), Beige (Grip)

**Cradle interface cable drawing
 (a) RS232 Interface**

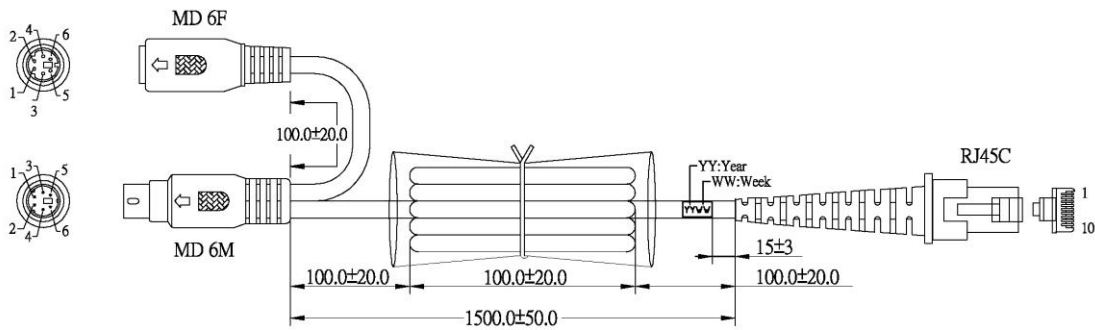
UNIT:mm



DB9F	RJ45C	DC JACK	FUNCTION	COLOR
5	3	Shell	GND	Brown
9	5	CORE	DC +5V	Red
2	7		TXD	Orange
3	9		RXD	Yellow
8	1		RTS	Green
7	10		CTS	Blue
Shell			Spiral	

(b) PS/2 Keyboard interface

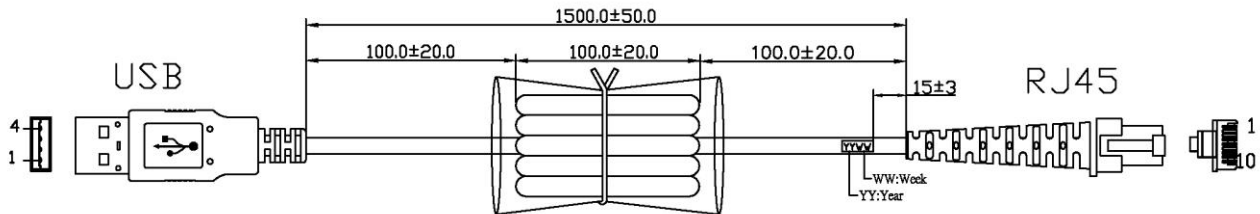
UNIT:mm



MD 6F	MD 6M	RJ45C	FUNCTION	COLOR
2	1		HOST DATA	Green
3	3	3	GND	Brown
4	5		HOST CLK	Blue
5	4	4	VCC	Red
6		5	KB CLK	Orange
8		1	KB DATA	Yellow
Spiral	Shell	Shell	SHELDING	

(c) USB interface

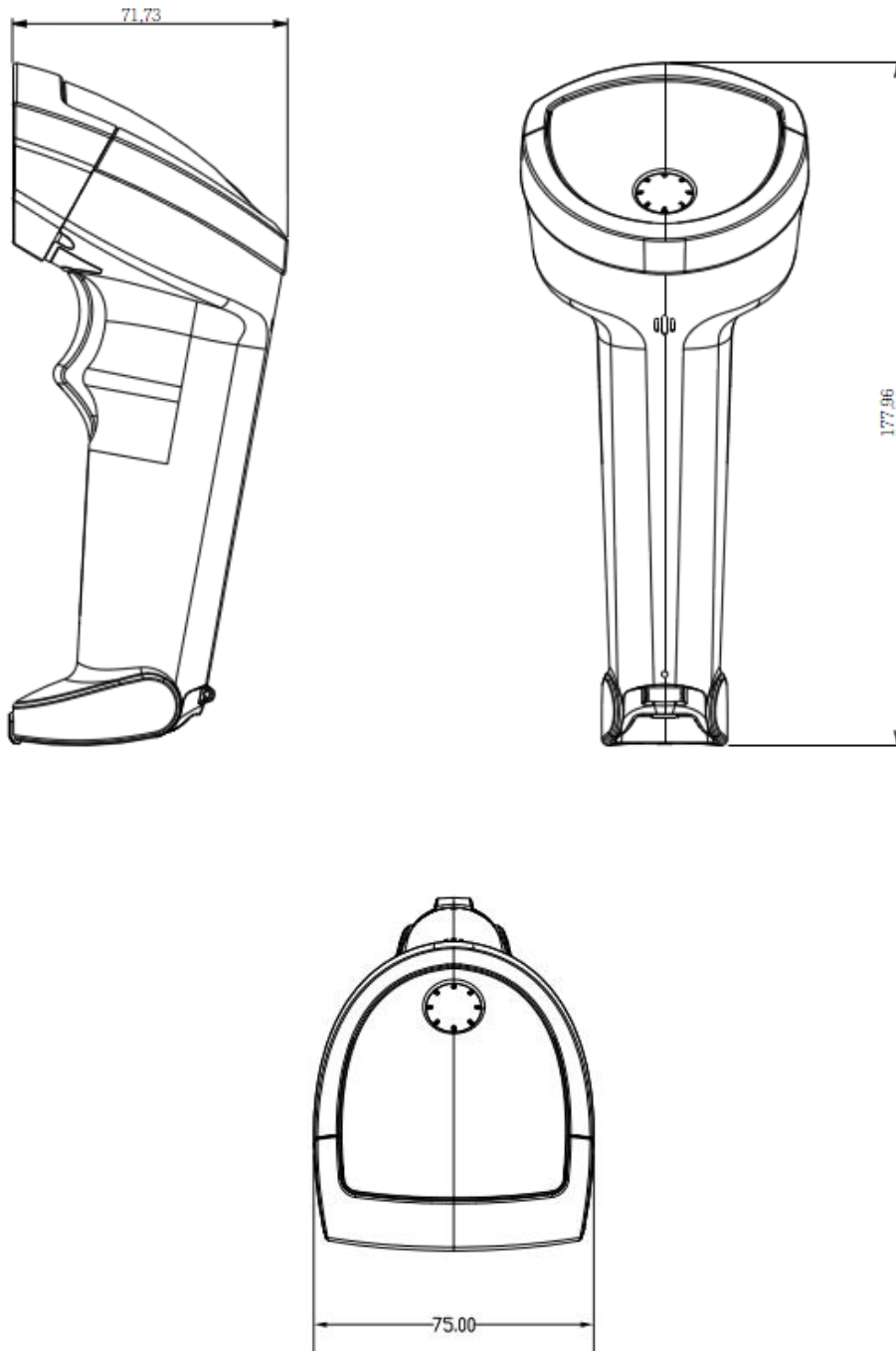
UNIT:mm



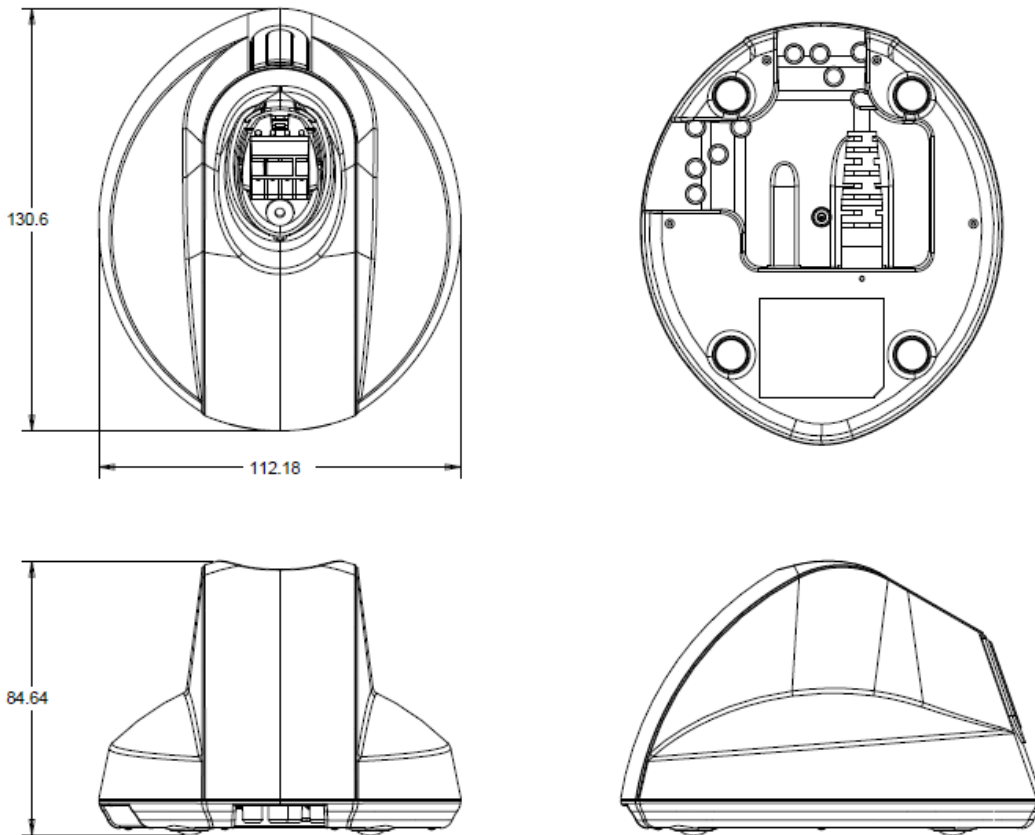
USB	RJ45	FUNCTION	COLOR
1	5	VCC	Red
2	4	D-	Blue
3	2	D+	Green
4	3	GND	Brown
Shell	3	SHELDING	

Mechanical drawing

(a) Scanner Dimension:



(b) Cradle Dimension:



C. Electrical Characteristics

Scanner:

Power Battery	Lithium-ion 3.7V / 2600 mAh
Charge Time	Approx. 5 hours
Reads per Charge	50,000 Times in continuous read
LED Indicator	Good read: Green Error / Alarm: Red Bluetooth Communication: blue
Power Consumption	
Power On	200mA
Stand by	100mA
Operation	170mA
Sleep	6mA

Cradle:

Input Voltage	5 VDC @ 2 A / Input AC 110-240V
Power Consumption	
Power On	95mA
Stand by	55mA
Operation	70mA
LED Indicator	Good read: Green Bluetooth Communication: Blue

D. Performance

Light Source	Visible Laser Diode 650± 10 nm
Sensor	Photo Sensor Diode
Decoder Processor Type	32 bits microcontroller
Scan Speed	50 scans per second ± 5%
Reading Distance	Up to 300mm@20mil/0.5mm, PCS90%
Width of Field	45° ± 3°
Print Contrast Ratio(Minimum)	30%
Resolution	5mil/0.127mm@PCS90%
Reading Angle	<i>Test Conditions: Code 39, 10mil/ 0.25mm, PCS 90%</i>
Forward & Backward(Pitch)	45°/ 60° (±5°)
Left & Right (Skew)	± 10° (±5°)
Ambient Light	
Direct sun light	5,000 Lux Max.
Indicator	Beep and LED (Good read Green)

E. Radio Characteristics

Bluetooth Module	Bluetooth V2.1 Standard, Support both SPP and HID profiles
Frequency Band	2.402GHz ~ 2.480GHz
Modulation Method	GFSK for 1Mbps
RF Output Power	Class 1 (under 20dBm)
Radio Transmission Range	Up to 100m /328.08 ft. in line of open sight

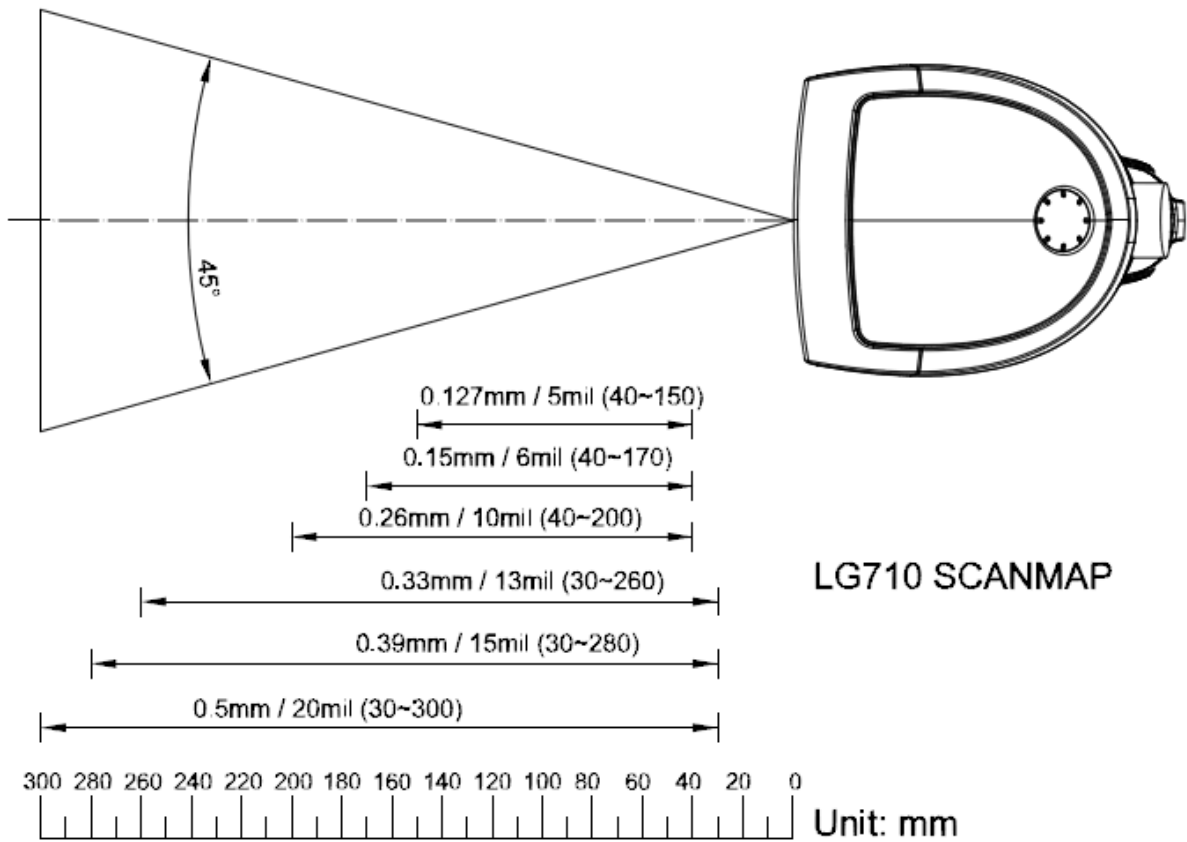
F. Environmental

Operating Temperature	0 °C to 50 °C (32 °F to 122 °F)
Storage Temperature	-20 °C to 60 °C (-4 °F to 140 °F)
Relative Humidity	20% to 95% (Non-condensing)

G. Readable Symbolologies

	Readable	Default Enable
All UPC/EAN/JAN	V	V
EAN128 Code	V	
Code 39	V	V
Code 39 Full ASCII	V	
Code32 / Italian Pharmacy	V	
Code 128	V	V
CODABAR/NW7	V	V
Interleave 25	V	V
Industrial 25	V	
Matrix 25	V	
MSI/PLESSEY	V	
Telepen	V	
Code 93	V	
Code 11	V	
China Postage	V	
GS1 DataBar Omnidirectional (& Stacked)	V	
GS1 DataBar Limited	V	
GS1 DataBar Expanded (& Stacked)	V	

H. Scan Map



I. Reliability

Life Time	
Trigger Switch	1,000,000 times
MTBF(Calculated)	35,000 hours
Thermal Shock	
High Temp.	50 °C (122 °F)
Low Temp.	-20 °C (-4 °F)
Cycle time	30 minutes for high temp., 30 minutes for low temp.
Cycles	24 cycles
Cable Bending Test	25,000 times minimum (30 times/ min @ 500g/ 90°)
Drop	59.05 inches(150cm) Drop to concrete surface
Sealing	Designed to IP54 water and dust resistance