



**CHAMPTEK**<sup>®</sup>  
We value your ID's

# IG380

## Imager Barcode Scanner

### Introduction

The IG380 area imager barcode scanner brings unmatched performance along with the latest advanced technology to the point-of-sale checkout operations, and it is a reliable bar code reader suitable for a wide range of environments. The IG380's features and its outstanding price-performance ratio make it the best solution for retail and POS applications.

The IG380 provides a 'black' or 'warm gray' color option, emphasizing the curving lines of the new enclosure and supports keyboard wedge, RS232 and USB interface. The powerful built-in decoder reads and discriminates all major 1D, 2D bar codes and GS1 DataBar™ symbologies, including damaged or poorly printed codes, reducing processing time and labor costs, while increasing accuracy.

Its barcode programming menu provides extensive configuration options. A stand option can be ordered to facilitate hand-free reading option and by configured to its automatically wake-up reading mode can extend its lifespan.

The IG380 provides customers with the most cost-effective solution in the market and is the best choice for any retail environment.

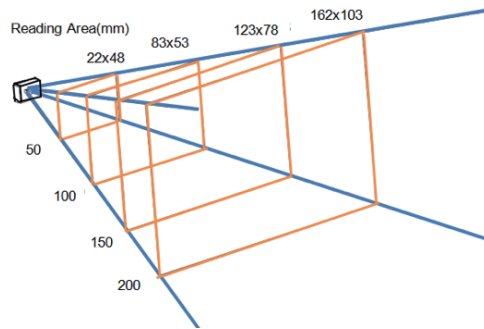
### Features

- Excellent Reading Performance for major 1D and 2D bar codes, e.g. of QR codes, even with 30% damage or one finder pattern missing.
- The best price-performance ratio solution in the market for retail and POS applications.
- Support multiple Interface options, USB HID, Virtual COM and RS-232.
- Facilitates both contact and air 16KV Electrostatic discharge.
- A stand option can be ordered to facilitate hand-free reading options.
- A vibration mode when scanning is optionally available.
- Applicable on Android tablet or smart phone with optional cable.

# IG380

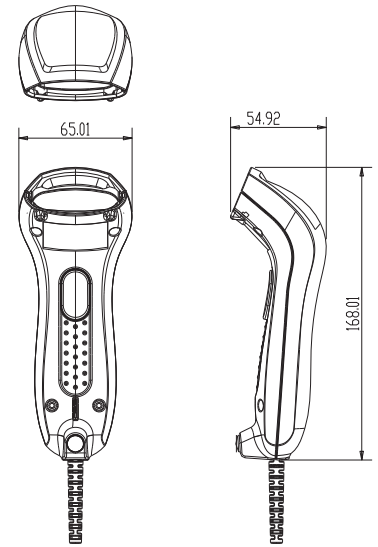
## Depth of field

Barcode	Depth of field
3mil Code39	30~60 mm
4mil Code39	30 ~ 90 mm
5mil Code39	30 ~ 100 mm
6mil Code39	30 ~ 110 mm
10mil Code39	30 ~ 150 mm
13mil Code39	30 ~ 180 mm
20mil Code39	30 ~ 250 mm
20mil QR Code	40 ~ 150 mm
10mil PDF417	40 ~ 110 mm
20mil PDF417	40 ~ 150 mm
20mil Data Matrix	40 ~ 200 mm



Note:

1. The test is under ambient light 700 ~ 800 Lux.
2. Reading area



**Mechanical Drawing**

Unit: mm

## Specifications

### Physical Characteristics

#### Weight

Body weight	Approx. 90 g
Cable weight	Approx. 60 g

#### Material

ABS

#### Dimension

65.01 mm W x 168.01 mm D x 54.92 mm H

### Electrical Characteristics

Interface	RS232	USB
Supply Voltage		
Output Voltage (Typ.)	±9V	+5V±5%
Output low Voltage (Max.)		0.7V
Current Draw		
Stand by (Typ.)	180 mA	180 mA
Operation (Typ.)	360 mA	360 mA

### Performance

Light Source	White light LED
Sensor	752 (H) x 480 (V) pixels
Field of view	Horizontal -40°, Vertical - 25°
Scan Rate	60 fps (at full resolution)
Reading Distance	250mm@20mil/0.5mm, PCS90%
Print Contrast Ratio	PCS45%@5mil/0.127mm
Resolution	3mil/0.076mm@PCS90% Code39, 10mil/.26mm@PCS90% QRCode
Reading Angle	Test Conditions : Code 39, 10mil/0.25mm, PCS90%
Pitch Angle	5°~60° (±5°)
Skew Tolerance	5°~60° (±5°)
Ambient Light	100,000 Lux Max.

### Environmental

Operating Temperature	0 °C to 50 °C (32 °F to 122 °F)
Storage Temperature	-20 °C to 70 °C (-4 °F to 158 °F)
Relative Humidity	20% to 95% (Non-condensing)

### Reliability

#### Life Time

Trigger Switch	1,000,000 times @1kg ±50g cycles
MTBF(Calculated)	50,000 hours

#### Thermal Shock

High Temp.	60 °C (140 °F)
Low Temp.	-20 °C (-4 °F)
Cycle time	30 minutes for high temp. , 30 minutes for low temp.
Cycles	24 cycles

Cable Bending Test	25,000 times minimum (30 times/min @ 200g/90°)
Drop Resistance	59.05 inches (150cm) drop on concrete surface
Electro-Static Discharge	Both contact and air at up to 16KV

### Readable Symbolologies

#### 1D Symbolologies

UPC-A, UPC-E, EAN-8/JAN-8, EAN-13/JAN-13, Code 39, Code 128, Interleaved 25, Industrial 25, Matrix 25, Codabar/NW7, Code 93, China Post, MSI/Plessey, Telepen, GS1 Databar Omni-directional, GS1 Databar Limited, GS1 Databar Expanded

#### 2D Symbolologies

Data Matrix, PDF 417, QR Code  
Option:  
Aztec, Micro PDF 417, Micro QR Code, Han Xin Code, GM Code

Due to Champtek's/Scantech ID's continuing product improvement programs, specifications and features are subject to change.