



# SD380

## Handheld Contact to Middle Range Linear Imager Barcode Scanner

**CHAMPTEK**<sup>®</sup>  
We value your ID's

### Introduction

The SD380 linear imager barcode scanner brings unmatched performance along with the latest advanced technology to the point-of-sale checkout operations, and it is a reliable bar code reader suitable for a wide range of environments. The SD380's features and its outstanding price-performance ratio make it the best solution for retail and light industrial applications.

The SD380 provides a 'black' or 'warn gray' color option, emphasizing the curving lines of the new enclosure and supports keyboard wedge, RS232 and USB interface. The powerful built-in decoder reads and discriminates all major 1D bar codes and GS1 DataBar™ symbologies, including damaged or poorly printed and codes on display, reducing processing time and labor costs, while increasing accuracy.

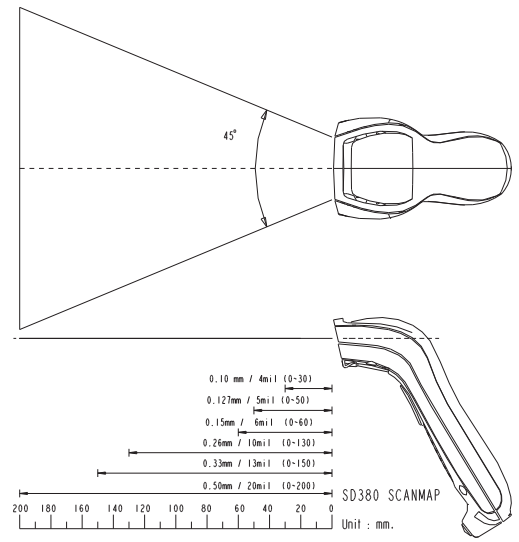
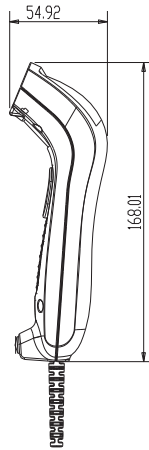
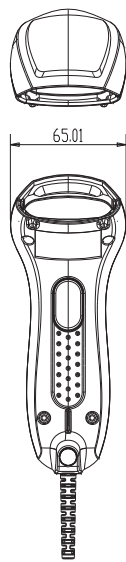
Its barcode programming menus provides extensive configuration options. A stand or holder option can be ordered to facilitate hand-free reading option and configured to its auto-sense reading can extend its lifespan.

The SD380 provides customers with the most cost-effective solution in the market and is the best choice for any retail environments.

### Features

- The best price-performance ratio solution in the market for retail and light industrial applications.
- Available for Gray and Black color choice.
- Reading depth from window up to 200mm.
- Support minimum resolution 4 mil/0.1 mm.
- Reads most 1D bar code symbologies include GS1 Databar codes.
- Support USB / RS-232 / Keyboard Wedge Interface options.
- Facilitates both contact and air 16KV Electro-Static discharge.
- Designed as IP41 sealing protection.
- A stand can be ordered to facilitate hand-free reading option.
- Applicable on Android tablet or smart phone with optional cable.

# SD380



## Specification

### Physical Characteristics

Weight	
Body weight	Approx. 90g
Cable weight	Approx. 60g
Material	ABS
Dimension	65.01mm W x 168.01mm D x 54.92mm H

### Electrical Characteristics

Interface	RS232	USB	KB
Supply Voltage	DC +5V ±5%		
Output Voltage (Typ.)	±9V	+5V±5%	+5V±5%
Output low Voltage (Max.)	-	0.7V	0.7V
Current Draw	±10%		
Power On (Typ.)	250 mA	250 mA	250 mA
Stand by (Typ.)	58 mA	58 mA	58 mA
Operation (Typ.)	224 mA	242 mA	242 mA

### Performance

Light Source	Visible Red light 632nm LED
Sensor	Linear Sensor
Processor Type	ARM 32-bit CPU
Operating Freq.	8 MHz (Internal)
Scan Speed	100 scans per second ±10%
Reading Distance	From contact up to 200mm@20mil/0.5mm, PCS90%
Width of Field	40 mm @ Contact, 10mil/0.25mm, PCS90%
Print Contrast Ratio	25%
Resolution	4mil/0.1mm@PCS90%,Code39
Reading Angle	Test Conditions : Code 39, 10mil/0.25mm, PCS 90%
Pitch Angle	±5°~65°
Skew Angle	±5°~65°
Ambient Light	
Fluorescent lamp	10,000 Lux. Maximum

water

### Environmental

Operating Temp.	0°C to 50°C (32F to 122°F)
Storage Temp.	-20°C to 70°C (-4F to 158°F)
Relative Humidity	20% to 95% (Non-condensing)

### Reliability

Life Time	1,000,000 times @ 1kg ±50g cycles
Trigger Switch	50,000 hours
MTBF(Calculated)	
Thermal Shock	
High Temp.	60°C (140°F)
Low Temp.	-20°C (-4°F)
Cycle time	30 minutes for high temp. , 30 minutes for low temp.
Cycles	24 cycles
Cable Bending Test	40,000 times minimum (30 times/min @ 200g/90°)
Drop	70.86 inches (180cm) drop on Concrete Surface
Electro-Static Discharge	Both contact and air at up to 16KV
Sealing	IP41 water and dust protection

### Readable Symbolologies

	Readable	Default Enable
All UPC/EAN/JAN	V	V
EAN128 Code	V	
Code39	V	V
Code39 Full ASCII	V	
Code32 / Italian Pharmacy	V	
Code128	V	V
CODABAR/NW7	V	V
Interleave 25	V	V
Industrial 25	V	
MSI/PLESSEY	V	
Code 93	V	
China Postage	V	
GS1 DataBar	V	

Due to Champtek's / Scantech ID's continuing product improvement programs, specifications and features are subject to change