

MIR3+

High Performance Cost-Effective Area Barcode Scanning Module

CHAMPTEK[®]
We value your ID's

Introduction

The MIR3+ module is a high performance, omni-directional area imager barcode scanner. It delivers the same high-quality when your products need to capture 1D and 2D bar codes, its good ability to read bar codes that are printed on paper labels or displayed on the screen of a mobile phone or computer; and the rapid scanning speed that protects worker productivity and the customer experience. With the MIR3+, you can create products that will make a difference for your customers – and their customers. It is designed for various built-in and OEM solutions, such as self-service kiosks, POS (Point-of-Sales) terminals, ATM, price checkers, healthcare and mobile device solutions etc.

Numerous features make it easy to integrate the MIR3+, from two mounting areas options, keep imager on PCB board or standalone with a FPC to connect with board, and through documentation to a scan engine development board. With a multitude of software configuration through Idea set utility, you can easily optimize the performance of the MIR3+ for your application.

MIR3+ module is a high performance area imager scanner, provides customers with the most cost-effective solution in the market and perfectly suitable and definitely the best choice for any OEM and built-in application.

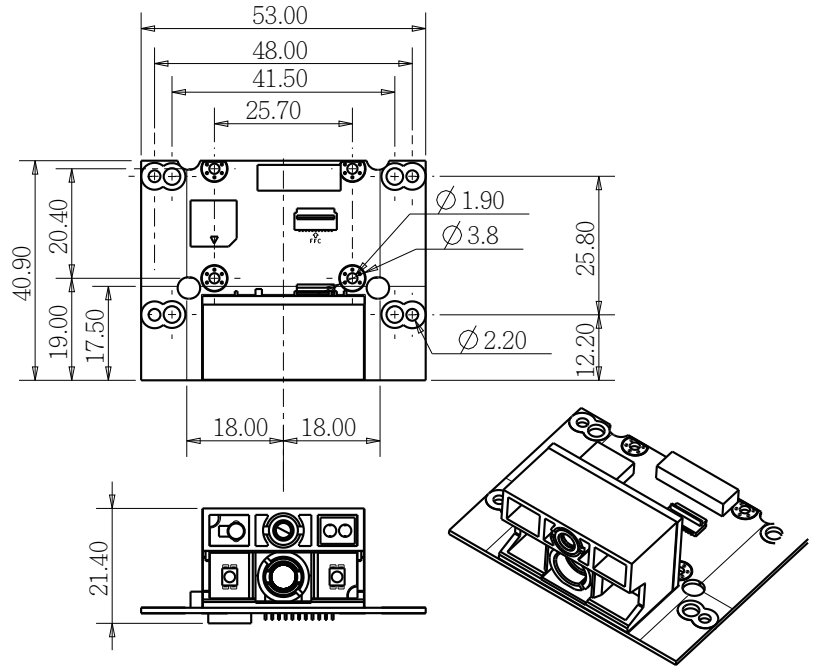
Features

- Omni-directional scan pattern, no need to align barcode and scanner, ensuring user comfort and protecting worker productivity.
- Easily integrated with various OEM application while 1D and 2D barcode scanning.
- Focused Green-coloured crisp square 'spot' for accurate aiming and first time barcode capture.
- Flexible mounting options, either mounting on external or inner screw holes.
- With a multitude of software configuration options, you can easily optimize the performance of the MIR3+ for your application.

MIR3+

Reading Range

Barcode mil	Depth of field
4mil Code39	40~70 mm
5mil Code39	40~90 mm
6mil Code39	50~100 mm
10mil Code39	50~230 mm
13mil Code39	50~250 mm
20mil Code39	50~300 mm
10mil QRCode	45~ 70 mm
20mil QRCode	50~170 mm
10mil PDF417	35~150 mm
20mil PDF417	80~255 mm
13mil Data Matrix	35~ 60 mm
20mil Data Matrix	50~100 mm



Specifications

Physical Characteristics

Weight		
Body weight	Approx. 0.67 oz (19.2g)	
USB Cable weight	Approx. 1.79 oz (51g)	
RS232 Cable weight	Approx. 2.32 oz (66g)	
Material	Polycarbonate	
Dimension	53.00mm W x 40.90mm D x 21.40mm H (Wide board with two mounting area) 36.00 mm W x 40.90 mm D x 21.40 mm H (Narrow board with one mounting area) 30.20 mm W x 16.90mm D x 18.50mm H (Imager size with sensor board)	

Electrical Characteristics

Interface	RS232	USB-HID(or Virtual COM port)
	DC Adaptor	USB Power
Supply Voltage	DC+5V±5%	DC+5V±5%
Current Draw	±10%	±10%
Stand by (Typ.)	180mA	180mA
Operation (Typ.)	360mA	360mA

Environmental

Operating Temp.	0°C to 50°C (32°F to 122°F)
Storage Temp.	-20°C to 70°C (-4°F to 158°F)
Relative Humidity	20% to 95% (Non-condensing)
Ambient Light	Works in any lighting conditions from 0 to 100,000 lux

Performance

Light Source	Visible red light 625nm(±5nm) LED
Scan Rate	60 images per second
Sensor Resolution	752 (H) x 480 (V) pixels
Field of View	Horizontal -40°, Vertical -25°
Pitch Angle	5°~60°(±5°)
Skew Tolerance	5°~60°(±5°)
Roll	360°
Indicator	Good read beep

Reliability

Life Time	
MTBF(Calculated)	50,000 hours
Thermal Shock	
Low Temp.	-20°C (-4°F)
Cycle time	30 minutes for high temp., 30 minutes for low temp.
Cycles	24 cycles
Mechanical Shock	
Vibration	8G r.m.s,from 10 to 500Hz,2 hours per axis, 3 axes

Readable Symbolologies

1D Symbolologies

UPC-A,UPC-E,EAN-8/JAN-8,EAN-13/JAN-13,Code 39,Code 128, Interleaved 25,Industrial 25,Matrix 25,Codabar/NW7, Code 93,China Post,MSI/Plessey,Telepen,GS1 Databar Omni-directional, GS1 Databar Limited,GS1 Databar Expanded

2D Symbolologies

Data Matrix,PDF 417,QR Code
Option :
Aztec,Maxi Code,Micro PDF 417,Micro QR Code,Han Xin Code,GM Code

Due to Champtek's / Scantech ID's continuing product improvement programs, specifications and features are subject to change